

60mm sq.

San Ace 60



General Specifications

- Material Frame: Plastics (Flammability: UL94V-0),
Impeller: Plastics (Flammability: UL94V-1)
- Expected Life Refer to specifications (L10:Survival rate:90% at 60°C ,
rated voltage, and continuously run in a free air state)
- Lead Wire ⊕red ⊖black or blue (Sensor) yellow
- Storage Temperature -30°C to +70°C (Non-condensing)

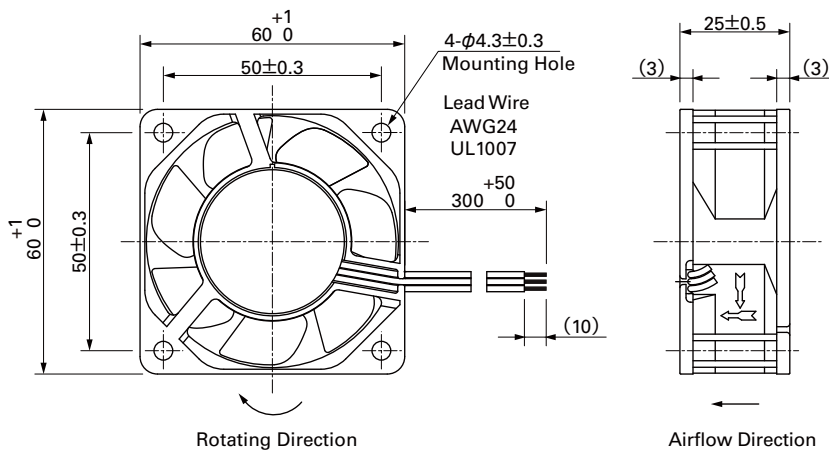
60×60×25mm (Mass : 90g) 9R type

Specifications The following nos. **have pulse sensors and ribs.** For ribless, append "1" to the model no.

Model No.	Rated Voltage [V]	Operating Voltage Range [V]	Rated Current [A]	Rated Input [W]	Rated Speed [min ⁻¹]	Max. Airflow [m ³ /min] [CFM]	Max. Static Pressure [Pa] [inchH ₂ O]	SPL [dB(A)]	Operating Temperature [°C]	Expected Life [h]	
109R0605H401	5	4.5 to 5.5	0.34	1.70	3,800	0.53 18.7	40.2 0.161	28	-20 to +70	60,000/60°C	
109R0605F401			0.20	1.00	3,200	0.44 15.5	29.4 0.118	24			
109R0605M401			0.13	0.65	2,600	0.36 12.7	19.6 0.079	20			
109R0612J401	12	10.8 to 13.2	0.47	5.64	7,600	1.06 37.1	155.0 0.622	44	-20 to +70	40,000/60°C	
109R0612G401		10.2 to 13.8	0.24	2.88	5,600	0.78 27.5	87.3 0.351	39			
109R0612D401			0.17	2.04	4,600	0.65 23.0	56.8 0.228	33			
109R0612S401			6 to 13.8	0.11	1.32	3,800	0.53 18.7	40.1 0.161			28
109R0612H401		0.09		1.08	3,200	0.44 15.5	29.4 0.118	24			
109R0612F401		7 to 13.8		0.06	0.72	2,600	0.36 12.7	19.6 0.079			20
109R0612M401			21.6 to 26.4	0.24	5.76	7,600	1.06 37.1	155.0 0.622			44
109R0624J401				20.4 to 27.6	0.13	3.12	5,600	0.78 27.5			87.3 0.351
109R0624G401		12 to 27.6			0.12	2.88	5,150	0.72 25.4			73.5 0.295
109R0624D401	0.08		1.92		4,600	0.65 23.0	56.8 0.228	33			
109R0624S401	12 to 27.6		0.06	1.44	3,800	0.53 18.7	40.2 0.161	28			
109R0624H401		0.05	1.20	3,200	0.44 15.5	29.4 0.118	24				
109R0624F401		14 to 27.6	0.04	0.96	2,600	0.36 12.7	19.6 0.079	20			
109R0624M401	43.2 to 52.8		0.12	5.76	7,600	1.06 37.1	155.0 0.622	44			
109R0648J401			43 to 53	0.07	3.36	5,600	0.78 27.5	87.3 0.351	39		
109R0648G401		40 to 53		0.04	1.92	3,800	0.53 18.7	40.2 0.161	28		
109R0648H401											

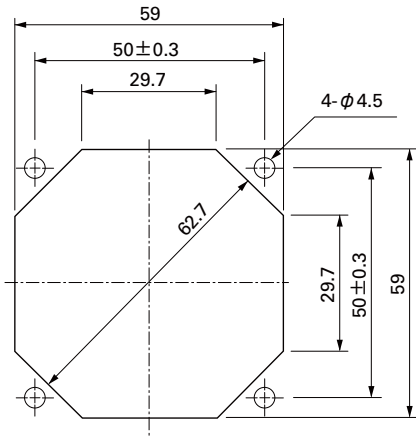
Models without sensors, or with lock sensors, or PWM control function are available as options. Please refer to the index (pp. 468 to 469).

Dimensions (unit: mm) (With ribs)



Reference Dimensions of Mounting Holes and Vent Opening (unit: mm)

Inlet side, Outlet side

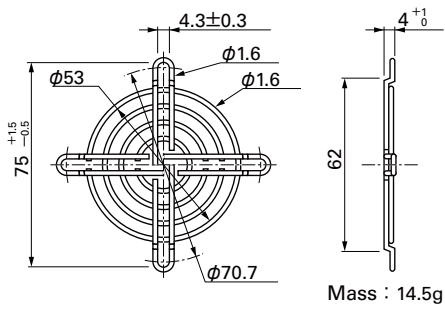


Options (unit: mm)

Finger Guards

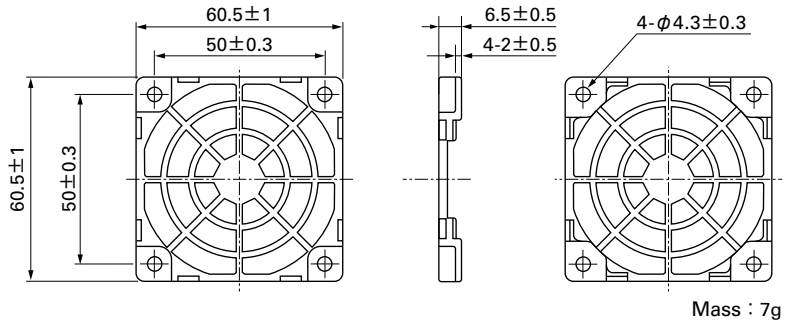
Model : 109-139E Surface treatment : Nickel-chrome plating (silver) Color : 109-139H : Cation electropainting (black)

Inlet side, Outlet side



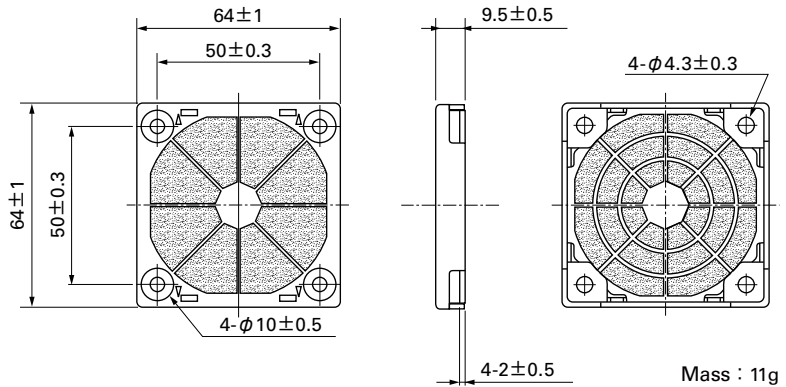
Resin Finger Guards

Model : 109-1003G



Resin Filter Kits

Model : 109-1003F13 (13PPI), 109-1003F20 (20PPI)
: 109-1003F30 (30PPI), 109-1003F40 (40PPI)

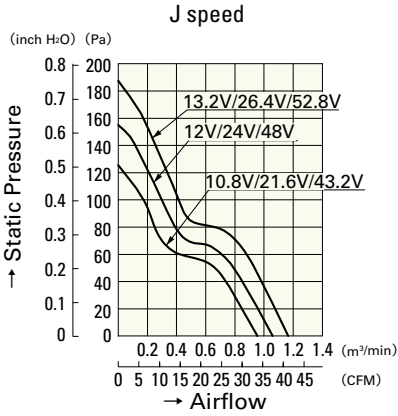


60mm sq.

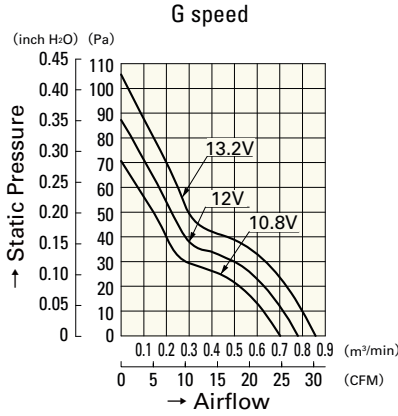
San Ace 60

60×60×25mm [Mass : 90g]

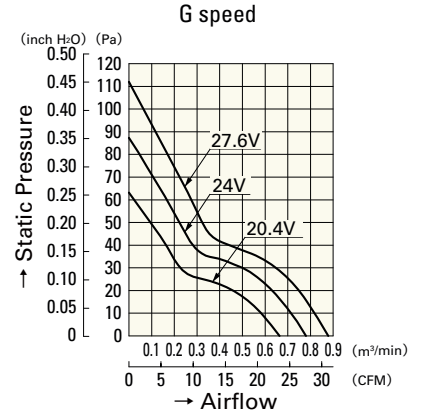
Airflow - Static Pressure Characteristics



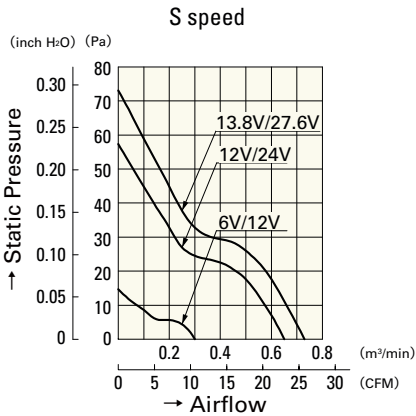
109R0612J401
109R0624J401
109R0648J401



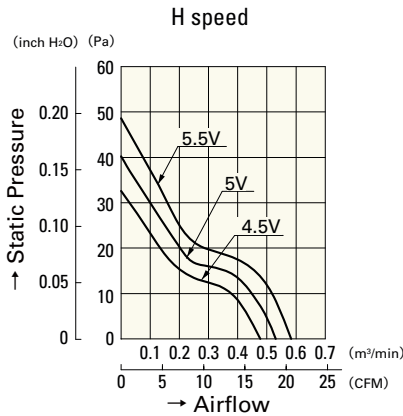
109R0612G401



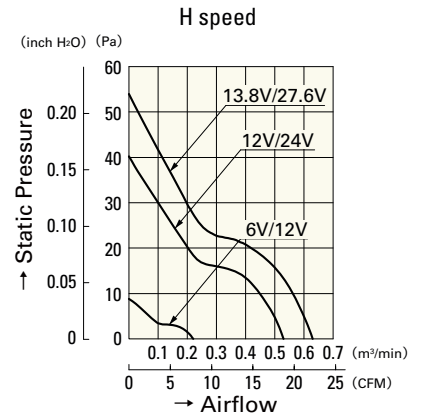
109R0624G401



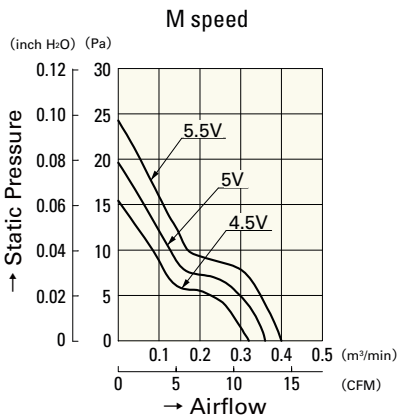
109R0612S401
109R0624S401



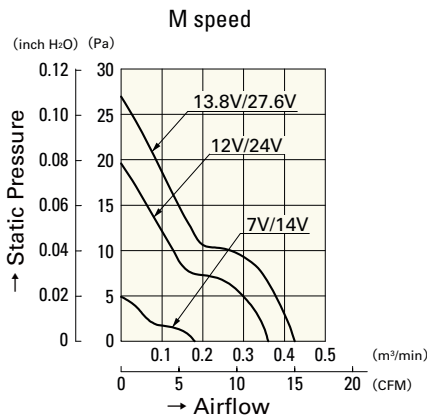
109R0605H401



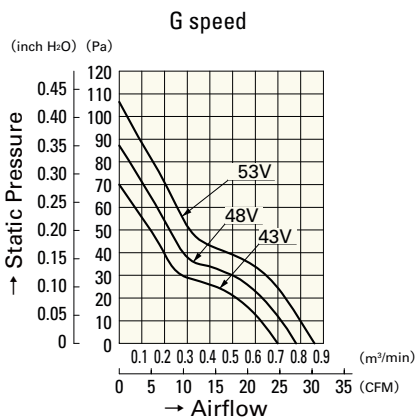
109R0612H401
109R0624H401



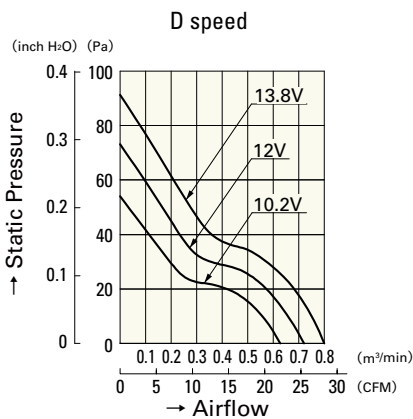
109R0605M401



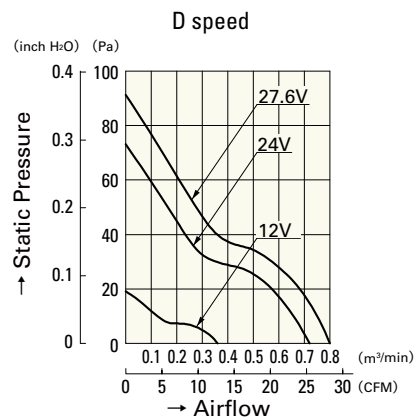
109R0612M401
109R0624M401



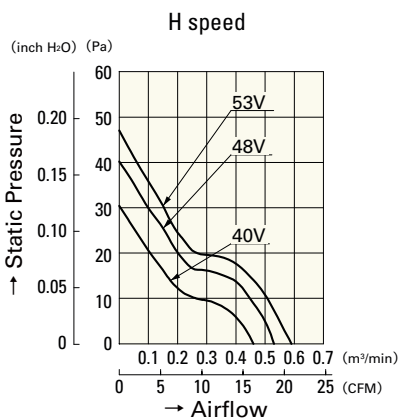
109R0648G401



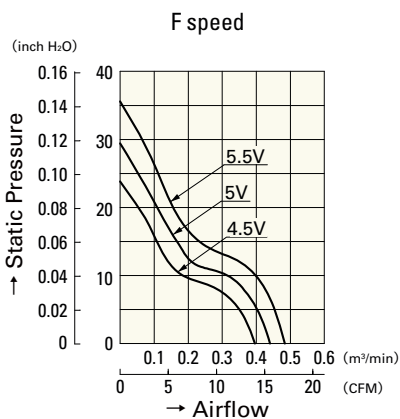
109R0612D401



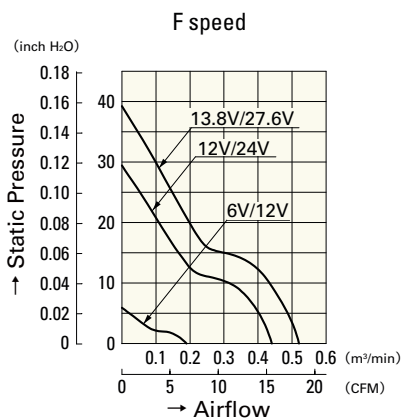
109R0624D401



109R0648H401



109R0605F401



109R0612F401

109R0624F401