

60mm sq.

San Ace 60



General Specifications

- Material Frame: Plastics (Flammability: UL94V-0),
Impeller: Plastics (Flammability: UL94V-1)
- Expected Life Refer to specifications (L10:Survival rate:90% at 60°C ,
rated voltage, and continuously run in a free air state)
- Lead Wire ⊕red ⊖black or blue (Sensor) yellow
- Storage Temperature -30°C to +70°C (Non-condensing)

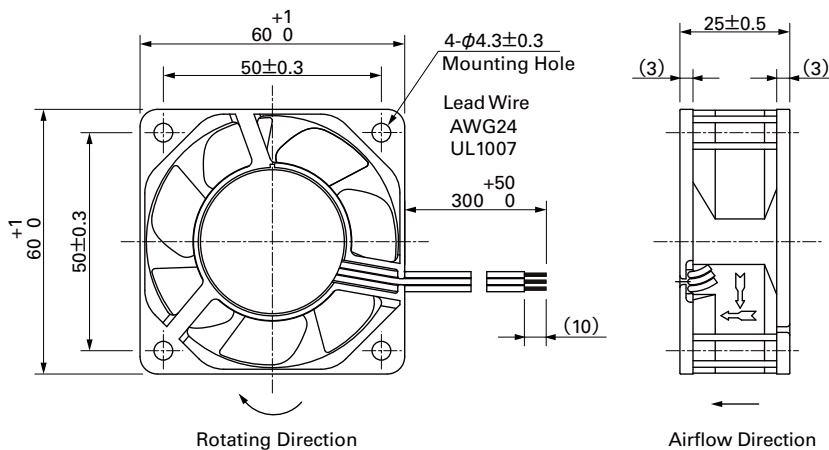
60×60×25mm (Mass : 90g) 9R type

Specifications The following nos. **have pulse sensors and ribs.** For ribless, append "1" to the model no.

Model No.	Rated Voltage [V]	Operating Voltage Range [V]	Rated Current [A]	Rated Input [W]	Rated Speed [min ⁻¹]	Max. Airflow [m ³ /min] [CFM]	Max. Static Pressure [Pa] [inchH ₂ O]	SPL [dB(A)]	Operating Temperature [°C]	Expected Life [h]	
109R0605H401	5	4.5 to 5.5	0.34	1.70	3,800	0.53 18.7	40.2 0.161	28	-20 to +70	60,000/60°C	
109R0605F401			0.20	1.00	3,200	0.44 15.5	29.4 0.118	24	-20 to +60		
109R0605M401			0.13	0.65	2,600	0.36 12.7	19.6 0.079	20	-20 to +70		
109R0612J401	12	10.8 to 13.2	0.47	5.64	7,600	1.06 37.1	155.0 0.622	44	-20 to +60	40,000/60°C	
109R0612G401		10.2 to 13.8	0.24	2.88	5,600	0.78 27.5	87.3 0.351	39	-20 to +70		
109R0612D401		6 to 13.8	0.17	2.04	4,600	0.65 23.0	56.8 0.228	33			
109R0612S401		0.11	1.32	3,800	0.53 18.7	40.1 0.161	28				
109R0612H401		7 to 13.8	0.09	1.08	3,200	0.44 15.5	29.4 0.118	24	-20 to +70		
109R0612F401		0.06	0.72	2,600	0.36 12.7	19.6 0.079	20				
109R0612M401		21.6 to 26.4	0.24	5.76	7,600	1.06 37.1	155.0 0.622	44			-20 to +60
109R0624J401		20.4 to 27.6	0.13	3.12	5,600	0.78 27.5	87.3 0.351	39	-20 to +70		
109R0624G401		12 to 27.6	0.12	2.88	5,150	0.72 25.4	73.5 0.295	37			
109R0624D401	0.08	1.92	4,600	0.65 23.0	56.8 0.228	33	-20 to +70				
109R0624S401	0.06	1.44	3,800	0.53 18.7	40.2 0.161	28					
109R0624H401	0.05	1.20	3,200	0.44 15.5	29.4 0.118	24		-20 to +60			
109R0624F401	14 to 27.6	0.04	0.96	2,600	0.36 12.7	19.6 0.079	20				
109R0624M401	43.2 to 52.8	0.12	5.76	7,600	1.06 37.1	155.0 0.622	44		-20 to +60	40,000/60°C	
109R0648J401	43 to 53	0.07	3.36	5,600	0.78 27.5	87.3 0.351	39	-20 to +70			
109R0648G401	40 to 53	0.04	1.92	3,800	0.53 18.7	40.2 0.161	28				
109R0648H401									-20 to +70	60,000/60°C	

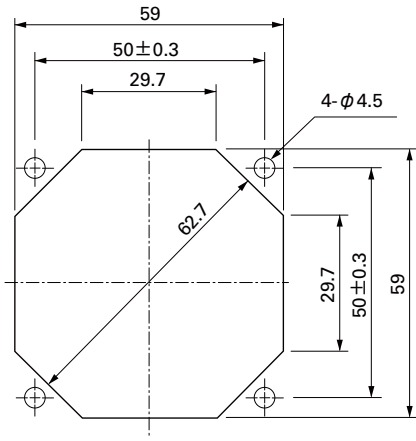
Models without sensors, or with lock sensors, or PWM control function are available as options. Please refer to the index (pp. 468 to 469).

Dimensions (unit: mm) (With ribs)



Reference Dimensions of Mounting Holes and Vent Opening (unit: mm)

Inlet side, Outlet side

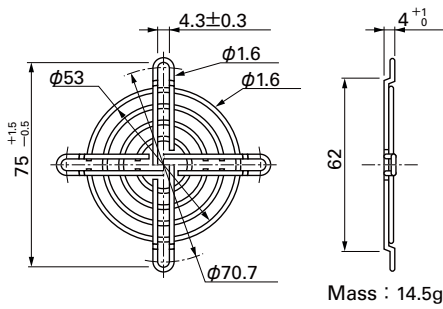


Options (unit: mm)

Finger Guards

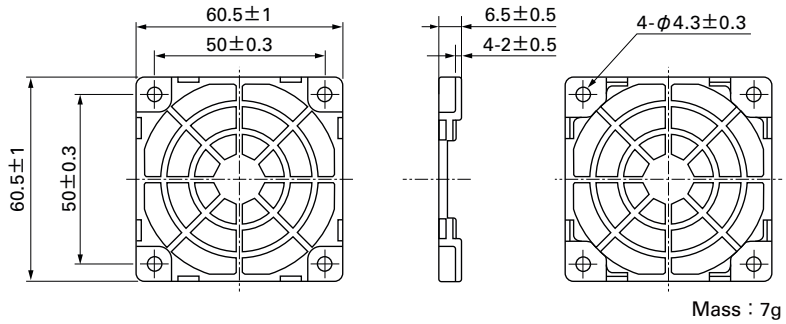
Model : 109-139E Surface treatment : Nickel-chrome plating (silver) Color : 109-139H : Cation electropainting (black)

Inlet side, Outlet side



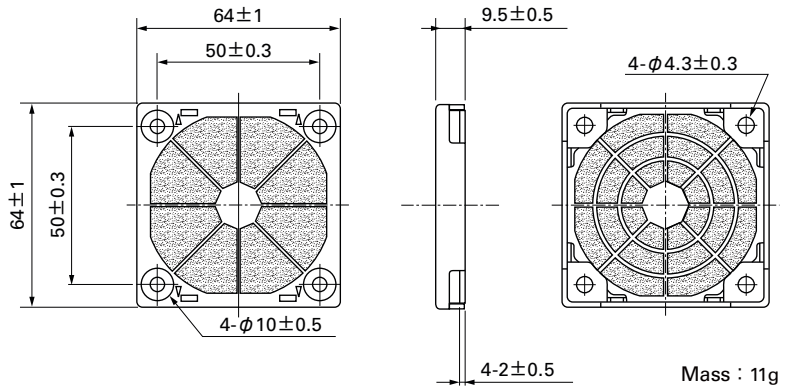
Resin Finger Guards

Model : 109-1003G



Resin Filter Kits

Model : 109-1003F13 (13PPI), 109-1003F20 (20PPI)
: 109-1003F30 (30PPI), 109-1003F40 (40PPI)

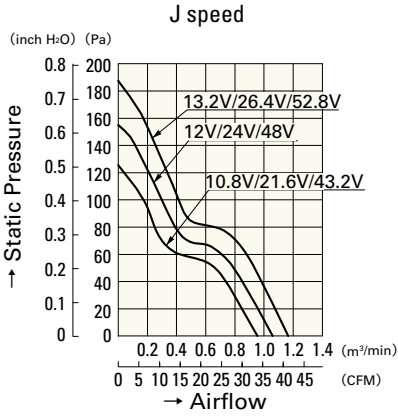


60mm sq.

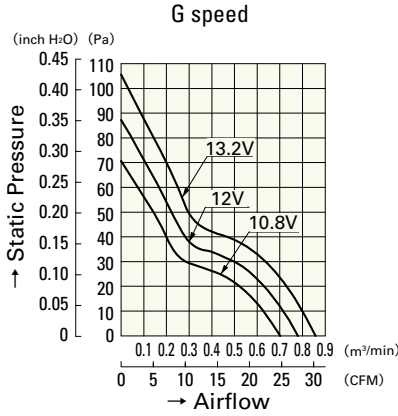
San Ace 60

60×60×25mm [Mass : 90g]

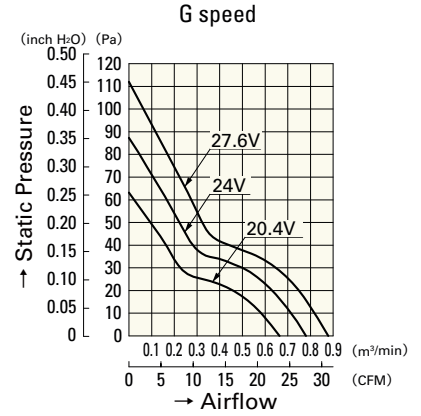
Airflow - Static Pressure Characteristics



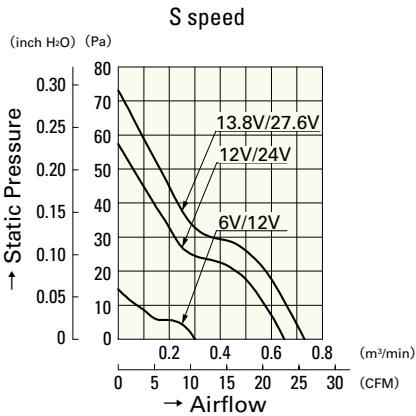
109R0612J401
109R0624J401
109R0648J401



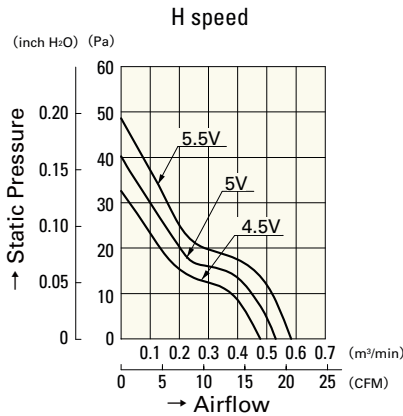
109R0612G401



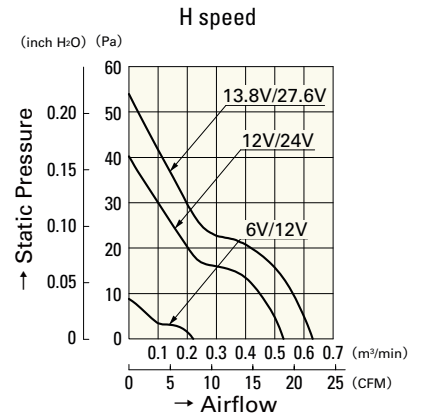
109R0624G401



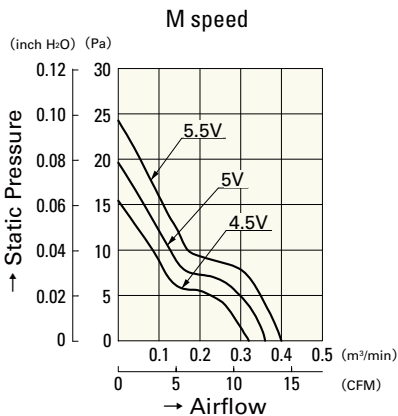
109R0612S401
109R0624S401



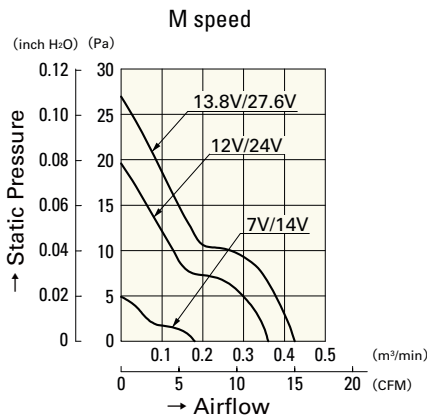
109R0605H401



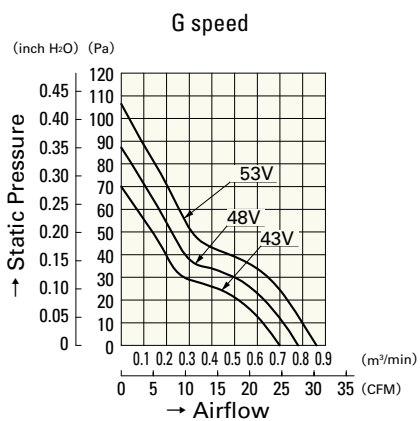
109R0612H401
109R0624H401



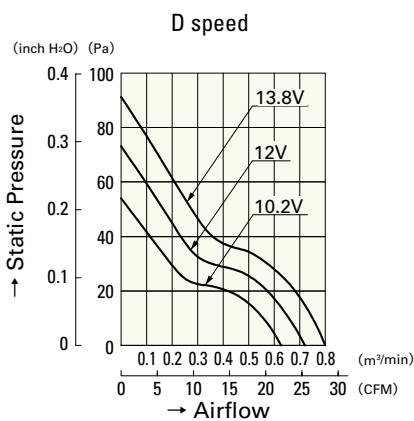
109R0605M401



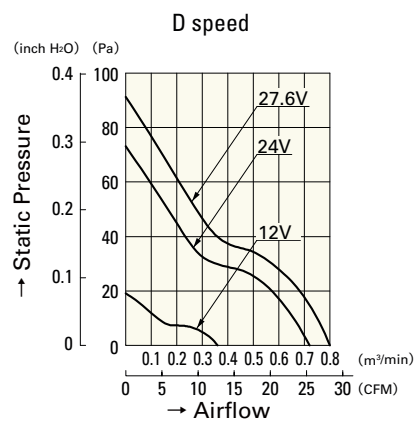
109R0612M401
109R0624M401



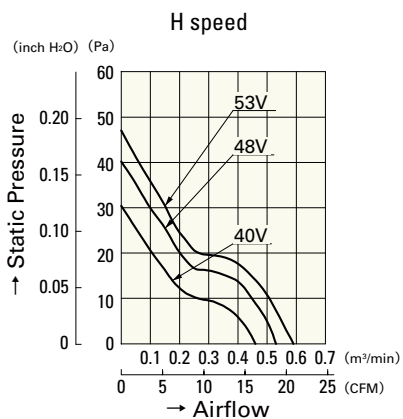
109R0648G401



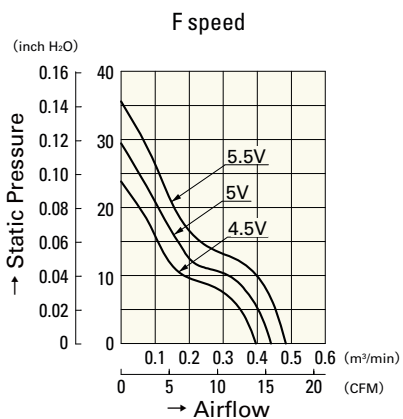
109R0612D401



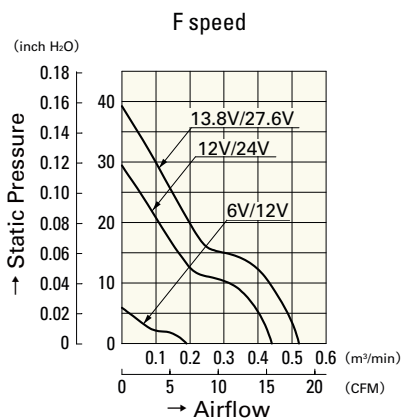
109R0624D401



109R0648H401



109R0605F401



109R0612F401

109R0624F401