

**60**mm sq.

# San Ace 60



## General Specifications

- Material ..... Frame: Plastics (Flammability: UL94V-0),  
Impeller: Plastics (Flammability: UL94V-1)
- Expected Life ..... Refer to specifications (L10:Survival rate:90% at 60°C ,  
rated voltage, and continuously run in a free air state)
- Lead Wire ..... ⊕red ⊖black or blue (Sensor) yellow
- Storage Temperature ..... -30°C to +70°C (Non-condensing)

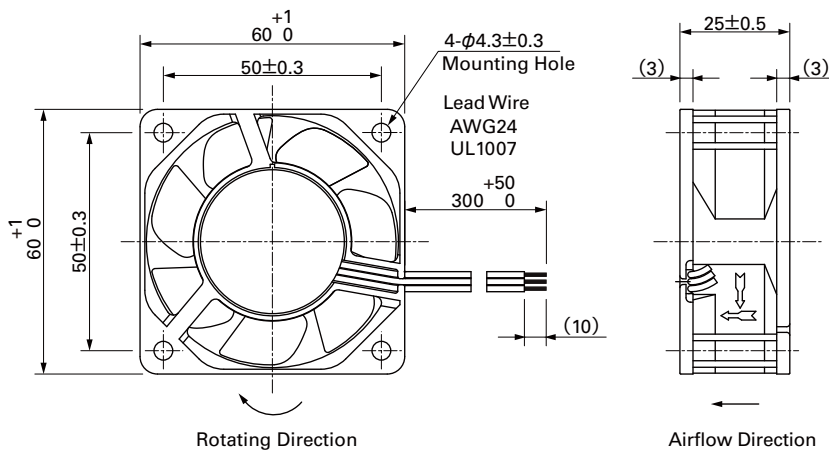
## 60×60×25mm (Mass : 90g) 9R type

**Specifications** The following nos. **have pulse sensors and ribs.** For ribless, append "1" to the model no.

Model No.	Rated Voltage [V]	Operating Voltage Range [V]	Rated Current [A]	Rated Input [W]	Rated Speed [min <sup>-1</sup> ]	Max. Airflow [m <sup>3</sup> /min] [CFM]	Max. Static Pressure [Pa] [inchH <sub>2</sub> O]	SPL [dB(A)]	Operating Temperature [°C]	Expected Life [h]		
109R0605H401	5	4.5 to 5.5	0.34	1.70	3,800	0.53 18.7	40.2 0.161	28	-20 to +70	60,000/60°C		
109R0605F401			0.20	1.00	3,200	0.44 15.5	29.4 0.118	24	-20 to +60			
109R0605M401			0.13	0.65	2,600	0.36 12.7	19.6 0.079	20	-20 to +70			
109R0612J401	12	10.8 to 13.2	0.47	5.64	7,600	1.06 37.1	155.0 0.622	44	-20 to +60	40,000/60°C		
109R0612G401		0.24	2.88	5,600	0.78 27.5	87.3 0.351	39	-20 to +70				
109R0612D401		10.2 to 13.8	0.21	2.52	5,150	0.72 25.4	73.5 0.295		37			
109R0612S401		0.17	2.04	4,600	0.65 23.0	56.8 0.228	33					
109R0612H401		6 to 13.8	0.11	1.32	3,800	0.53 18.7	40.1 0.161		28			
109R0612F401		0.09	1.08	3,200	0.44 15.5	29.4 0.118	24					
109R0612M401		7 to 13.8	0.06	0.72	2,600	0.36 12.7	19.6 0.079		20			
109R0624J401		21.6 to 26.4	0.24	5.76	7,600	1.06 37.1	155.0 0.622		44		-20 to +60	40,000/60°C
109R0624G401		20.4 to 27.6	0.13	3.12	5,600	0.78 27.5	87.3 0.351		39			
109R0624D401	12 to 27.6	0.12	2.88	5,150	0.72 25.4	73.5 0.295	37					
109R0624S401		0.08	1.92	4,600	0.65 23.0	56.8 0.228	33					
109R0624H401		0.06	1.44	3,800	0.53 18.7	40.2 0.161	28					
109R0624F401		0.05	1.20	3,200	0.44 15.5	29.4 0.118	24					
109R0624M401		14 to 27.6	0.04	0.96	2,600	0.36 12.7	19.6 0.079	20				
109R0648J401		43.2 to 52.8	0.12	5.76	7,600	1.06 37.1	155.0 0.622	44	-20 to +60	40,000/60°C		
109R0648G401	43 to 53	0.07	3.36	5,600	0.78 27.5	87.3 0.351	39					
109R0648H401	40 to 53	0.04	1.92	3,800	0.53 18.7	40.2 0.161	28	-20 to +70	60,000/60°C			

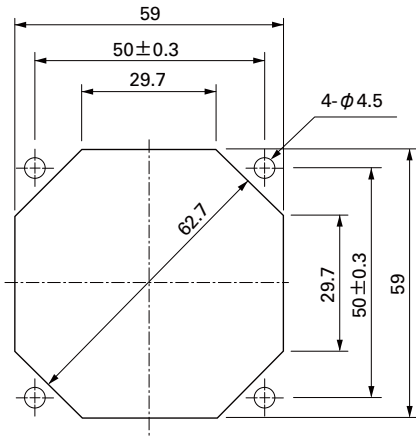
Models without sensors, or with lock sensors, or PWM control function are available as options. Please refer to the index (pp. 468 to 469).

## Dimensions (unit: mm) (With ribs)



**Reference Dimensions of Mounting Holes and Vent Opening (unit: mm)**

Inlet side, Outlet side

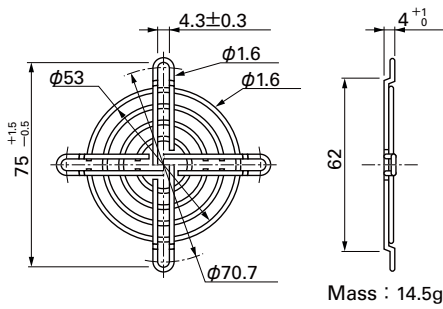


**Options (unit: mm)**

**Finger Guards**

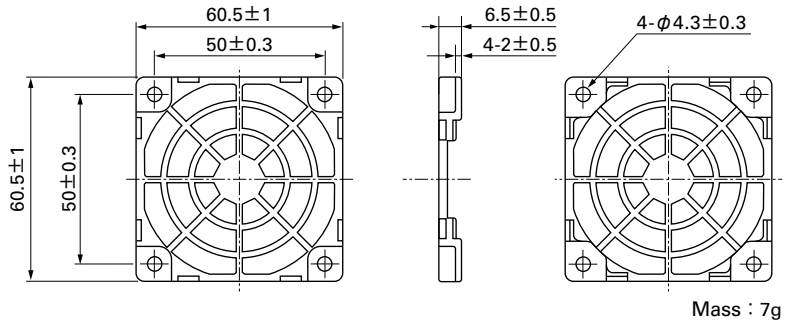
Model : 109-139E Surface treatment : Nickel-chrome plating (silver) Color : 109-139H : Cation electropainting (black)

Inlet side, Outlet side



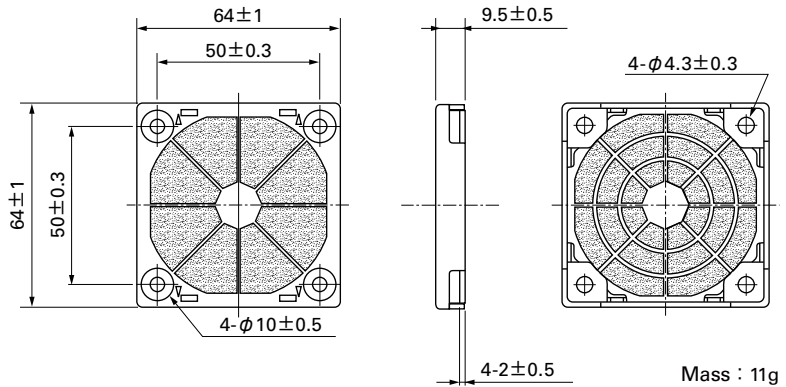
**Resin Finger Guards**

Model : 109-1003G



**Resin Filter Kits**

Model : 109-1003F13 (13PPI), 109-1003F20 (20PPI)  
: 109-1003F30 (30PPI), 109-1003F40 (40PPI)

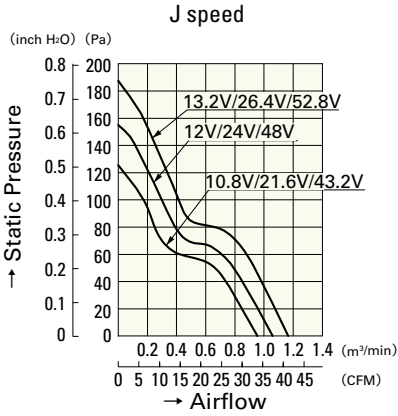


**60**mm sq.

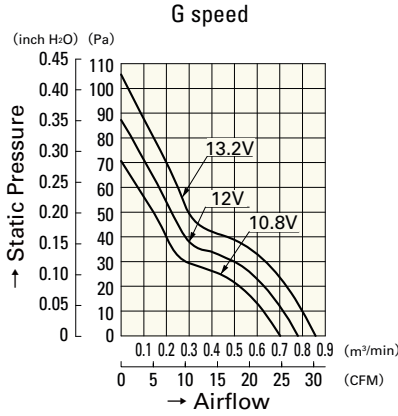
**San Ace 60**

**60×60×25**mm [Mass : 90g]

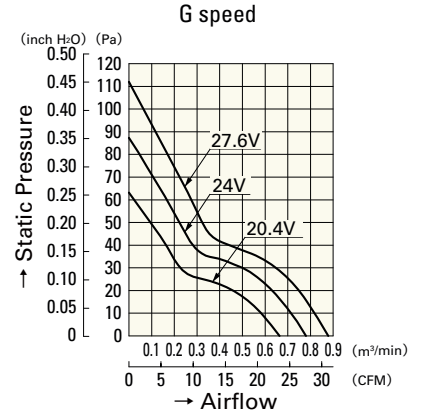
**Airflow - Static Pressure Characteristics**



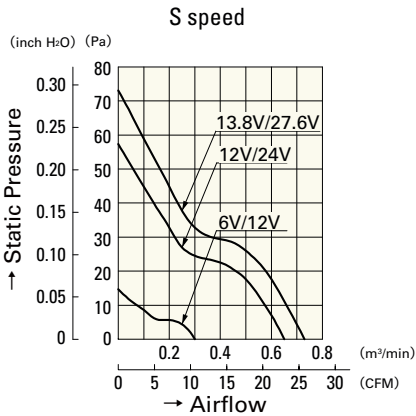
**109R0612J401**  
**109R0624J401**  
**109R0648J401**



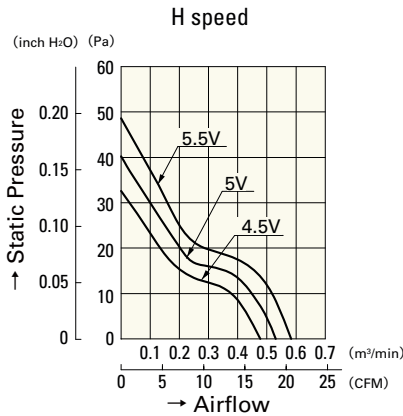
**109R0612G401**



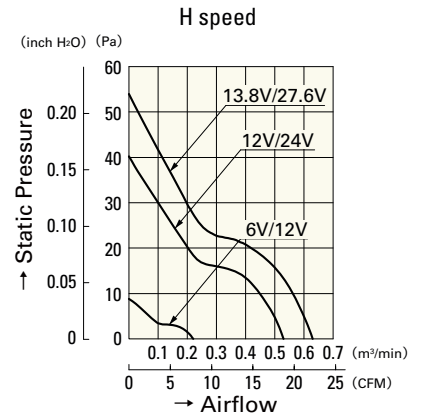
**109R0624G401**



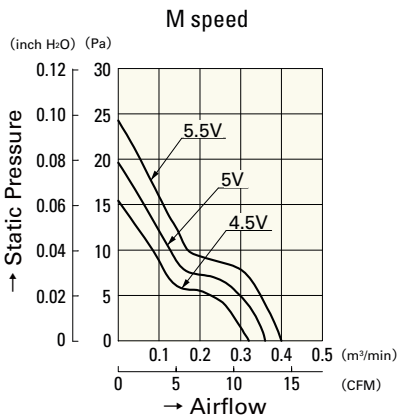
**109R0612S401**  
**109R0624S401**



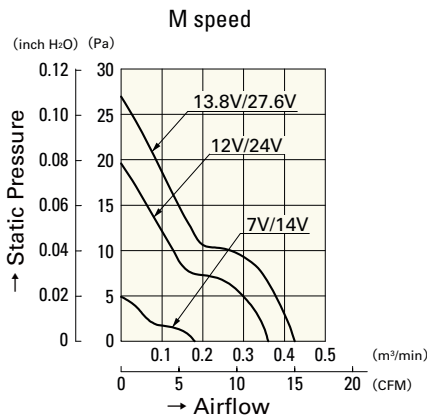
**109R0605H401**



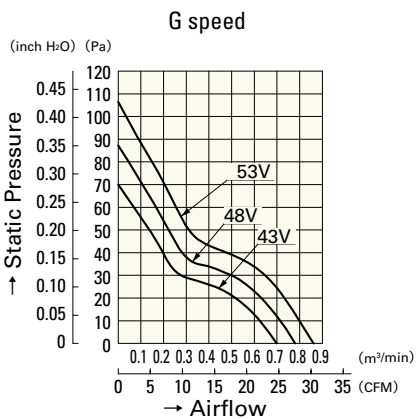
**109R0612H401**  
**109R0624H401**



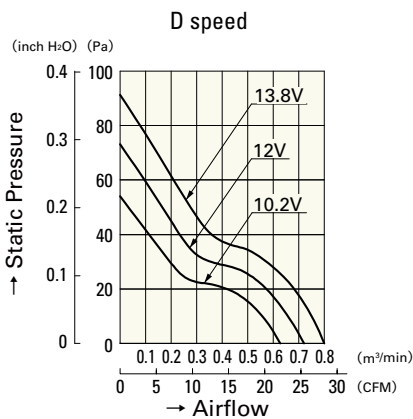
**109R0605M401**



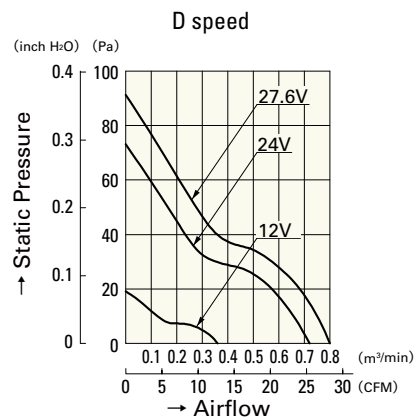
**109R0612M401**  
**109R0624M401**



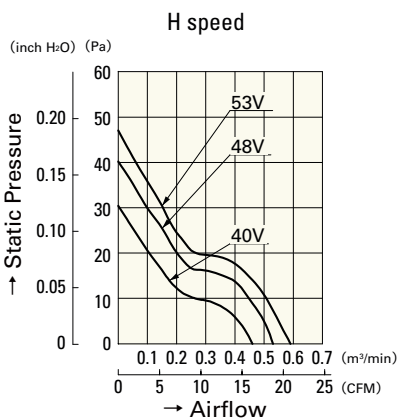
**109R0648G401**



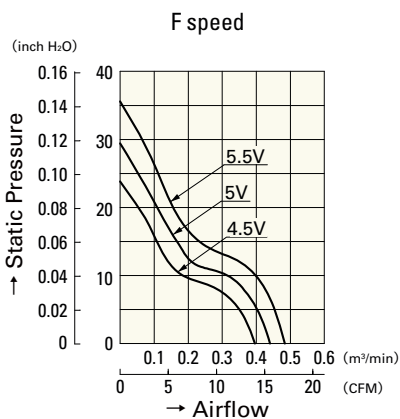
**109R0612D401**



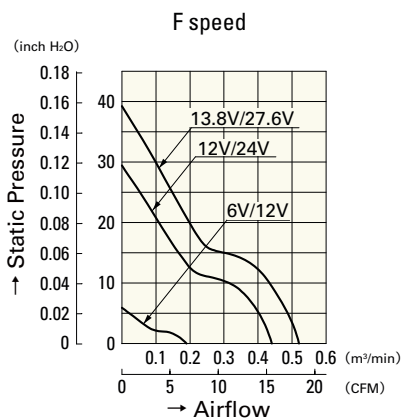
**109R0624D401**



**109R0648H401**



**109R0605F401**



**109R0612F401**

**109R0624F401**