

60mm sq.

San Ace 60



General Specifications

- Material Frame: Plastics (Flammability: UL94V-0),
Impeller: Plastics (Flammability: UL94V-1)
- Expected Life Refer to specifications (L10:Survival rate:90% at 60°C ,
rated voltage, and continuously run in a free air state)
- Lead Wire ⊕red ⊖black or blue (Sensor) yellow
- Storage Temperature -30°C to +70°C (Non-condensing)

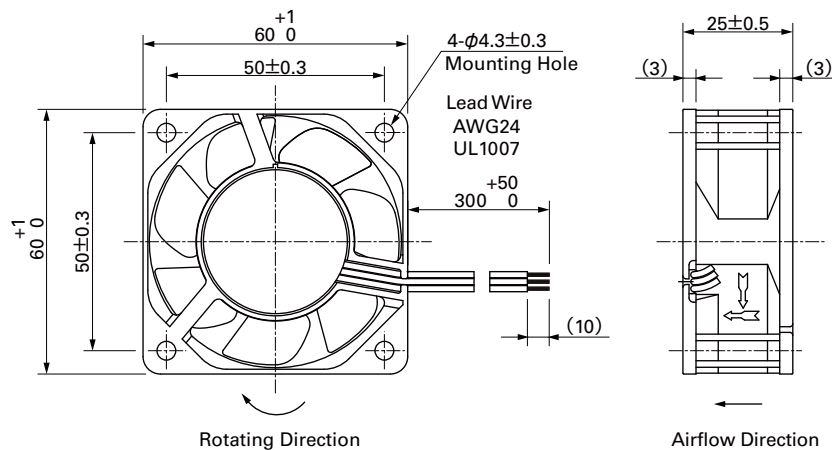
60×60×25mm (Mass : 90g) 9R type

Specifications The following nos. **have pulse sensors and ribs.** For ribless, append "1" to the model no.

Model No.	Rated Voltage [V]	Operating Voltage Range [V]	Rated Current [A]	Rated Input [W]	Rated Speed [min ⁻¹]	Max. Airflow [m ³ /min] [CFM]	Max. Static Pressure [Pa] [inchH ₂ O]	SPL [dB(A)]	Operating Temperature [°C]	Expected Life [h]			
109R0605H401	5	4.5 to 5.5	0.34	1.70	3,800	0.53 18.7	40.2 0.161	28	-20 to +70	60,000/60°C			
109R0605F401			0.20	1.00	3,200	0.44 15.5	29.4 0.118	24					
109R0605M401			0.13	0.65	2,600	0.36 12.7	19.6 0.079	20					
109R0612J401	12	10.8 to 13.2	0.47	5.64	7,600	1.06 37.1	155.0 0.622	44	-20 to +70	40,000/60°C			
109R0612G401		10.2 to 13.8	0.24	2.88	5,600	0.78 27.5	87.3 0.351	39					
109R0612D401		6 to 13.8	0.17	2.04	4,600	0.65 23.0	56.8 0.228	33					
109R0612S401			0.11	1.32	3,800	0.53 18.7	40.1 0.161	28					
109R0612H401			0.09	1.08	3,200	0.44 15.5	29.4 0.118	24					
109R0612F401		7 to 13.8	0.06	0.72	2,600	0.36 12.7	19.6 0.079	20					
109R0612M401			21.6 to 26.4	0.24	5.76	7,600	1.06 37.1	155.0 0.622			44	-20 to +60	40,000/60°C
109R0624J401				20.4 to 27.6	0.13	3.12	5,600	0.78 27.5			87.3 0.351		
109R0624G401		12 to 27.6		0.12	2.88	5,150	0.72 25.4	73.5 0.295			37		
109R0624D401	0.08		1.92	4,600	0.65 23.0	56.8 0.228	33						
109R0624S401	0.06		1.44	3,800	0.53 18.7	40.2 0.161	28						
109R0624H401	14 to 27.6	0.05	1.20	3,200	0.44 15.5	29.4 0.118	24						
109R0624F401		0.04	0.96	2,600	0.36 12.7	19.6 0.079	20						
109R0624M401		43.2 to 52.8	0.12	5.76	7,600	1.06 37.1	155.0 0.622	44	-20 to +60	40,000/60°C			
109R0648J401	43 to 53		0.07	3.36	5,600	0.78 27.5	87.3 0.351	39					
109R0648G401	40 to 53		0.04	1.92	3,800	0.53 18.7	40.2 0.161	28					
109R0648H401		-20 to +70	60,000/60°C										

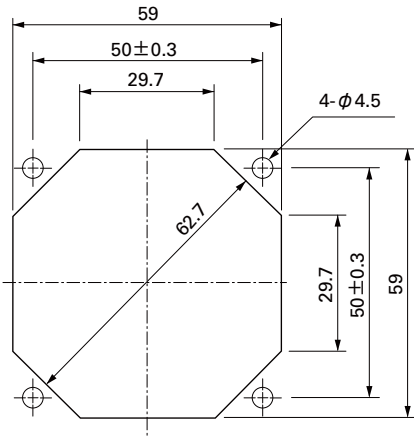
Models without sensors, or with lock sensors, or PWM control function are available as options. Please refer to the index (pp. 468 to 469).

Dimensions (unit: mm) (With ribs)



Reference Dimensions of Mounting Holes and Vent Opening (unit: mm)

Inlet side, Outlet side

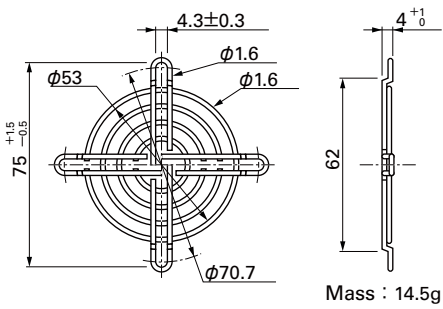


Options (unit: mm)

Finger Guards

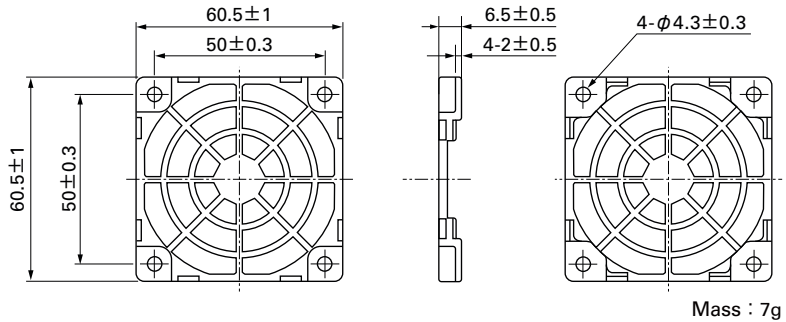
Model : 109-139E Surface treatment : Nickel-chrome plating (silver) Color : 109-139H : Cation electropainting (black)

Inlet side, Outlet side



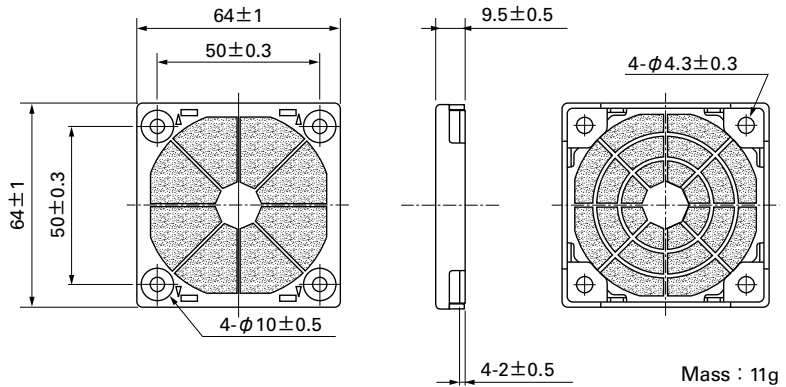
Resin Finger Guards

Model : 109-1003G



Resin Filter Kits

Model : 109-1003F13 (13PPI), 109-1003F20 (20PPI)
: 109-1003F30 (30PPI), 109-1003F40 (40PPI)

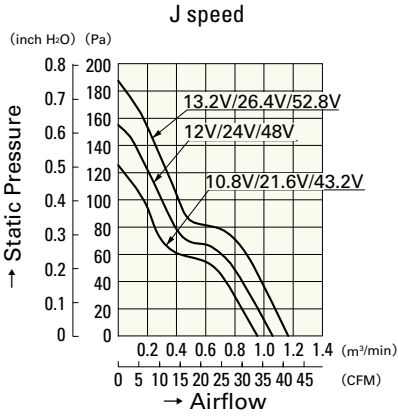


60mm sq.

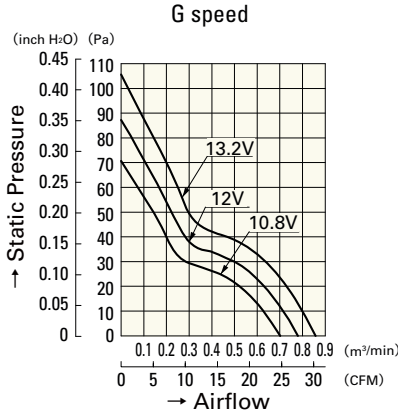
San Ace 60

60×60×25mm [Mass : 90g]

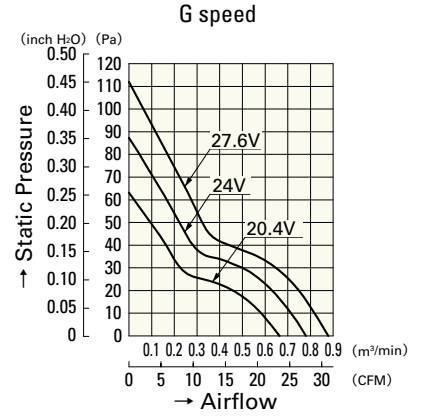
Airflow - Static Pressure Characteristics



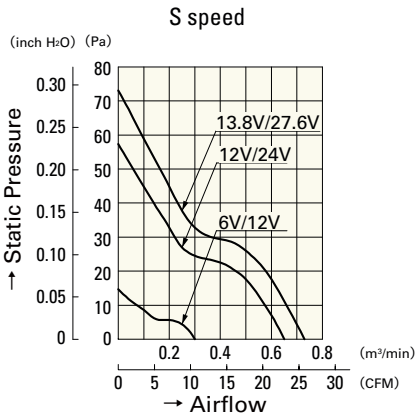
109R0612J401
109R0624J401
109R0648J401



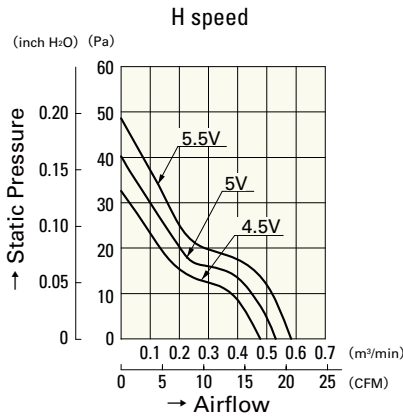
109R0612G401



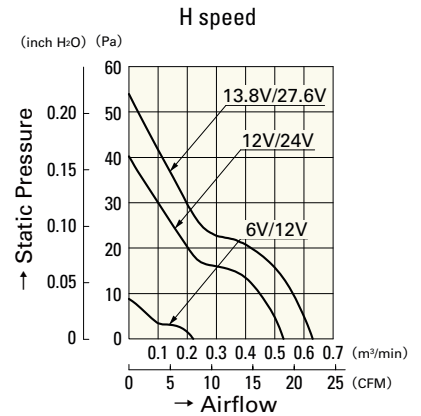
109R0624G401



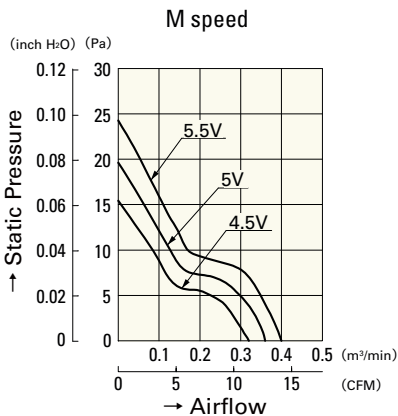
109R0612S401
109R0624S401



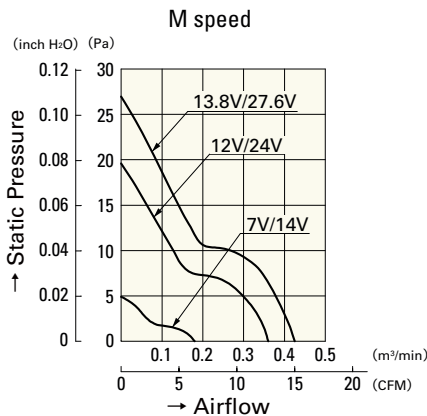
109R0605H401



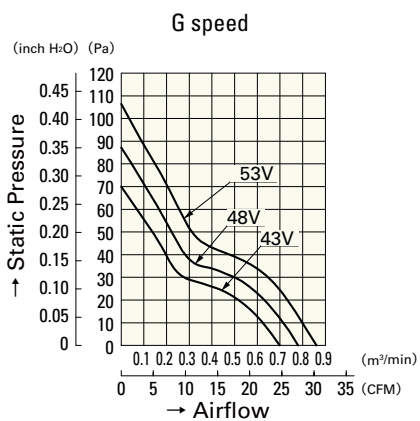
109R0612H401
109R0624H401



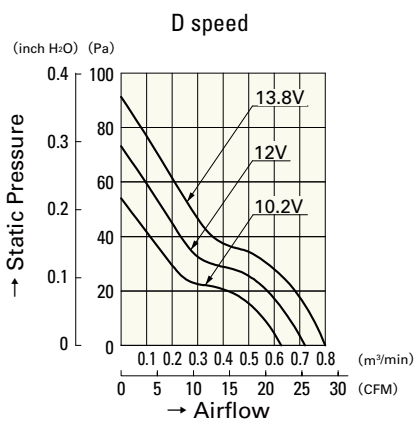
109R0605M401



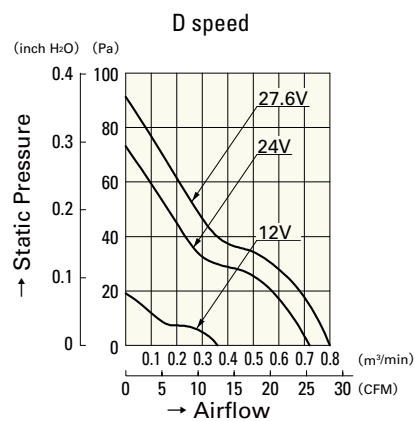
109R0612M401
109R0624M401



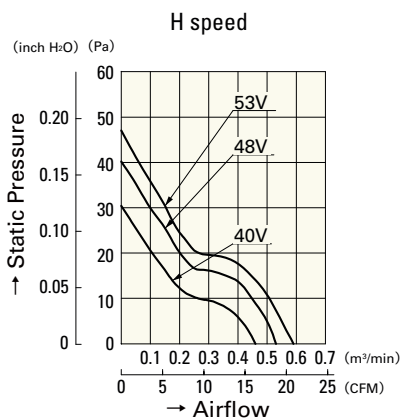
109R0648G401



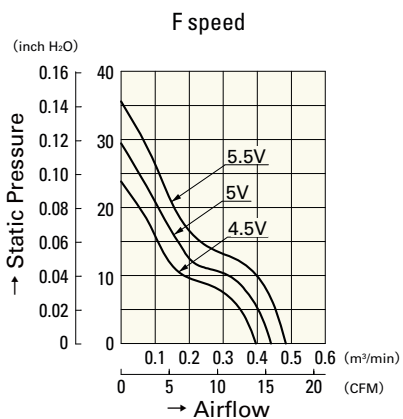
109R0612D401



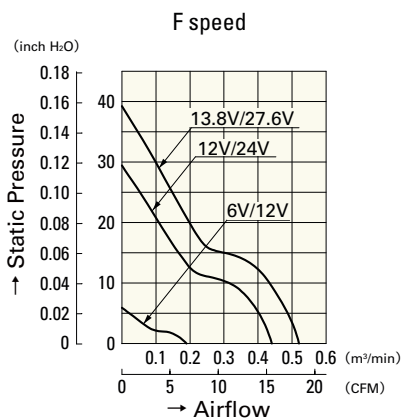
109R0624D401



109R0648H401



109R0605F401



109R0612F401

109R0624F401