

80mm sq.

San Ace 80



General Specifications

- Material Frame: Plastics (Flammability: UL94V-0),
Impeller: Plastics (Flammability: UL94V-0)
- Expected Life Refer to specifications (L10:Survival rate:90% at 60°C ,
rated voltage, and continuously run in a free air state)
- Lead Wire ⊕red ⊖black or blue (Sensor) yellow
- Storage Temperature -30°C to +70°C (Non-condensing)

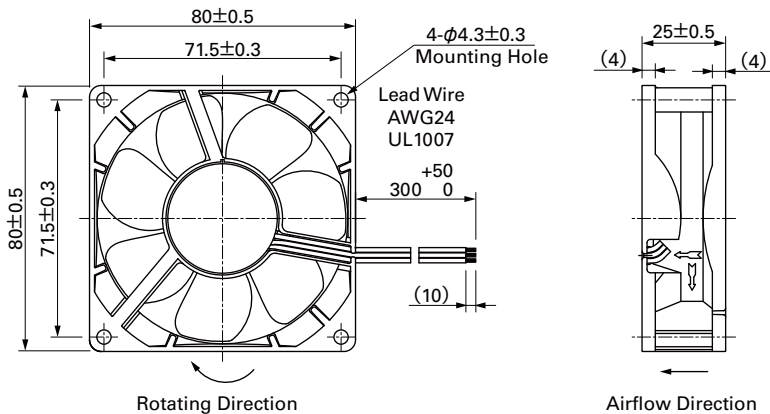
80×80×25mm (Mass : 90g) 9A type San Cooler

Specifications The following nos. **have pulse sensors and ribs.** For ribless, append "1" to the model no.

| Model No. | Rated Voltage [V] | Operating Voltage Range [V] | Rated Current [A] | Rated Input [W] | Rated Speed [min ⁻¹] | Max. Airflow [m ³ /min] [CFM] | Max. Static Pressure [Pa] [inchH ₂ O] | SPL [dB(A)] | Operating Temperature [°C] | Expected Life [h] | |
|------------|-------------------|-----------------------------|-------------------|-----------------|----------------------------------|--|--|-------------|----------------------------|-------------------|----|
| 9A0812G401 | 12 | 6 to 13.2 | 0.38 | 4.56 | 4,500 | 1.5 | 53.0 | 80.3 | -20 to +60 | 30,000/60°C | |
| 9A0812S401 | | | 0.18 | 2.16 | 3,400 | 1.2 | 42.4 | 48 | | | |
| 9A0812H401 | | 6 to 13.8 | 0.13 | 1.56 | 2,900 | 1.03 | 36.4 | 35.3 | | | 29 |
| 9A0812F401 | | | 0.11 | 1.32 | 2,600 | 0.92 | 32.5 | 28.4 | | | 26 |
| 9A0812M401 | | | 0.09 | 1.08 | 2,350 | 0.83 | 29.3 | 22.5 | | | 23 |
| 9A0812L401 | | | 0.06 | 0.72 | 1,850 | 0.65 | 23.0 | 14.7 | | | 20 |
| 9A0824G401 | 24 | 12 to 26.4 | 0.21 | 5.04 | 4,500 | 1.5 | 53.0 | 80.3 | -20 to +60 | 30,000/60°C | |
| 9A0824S401 | | | 0.1 | 2.4 | 3,400 | 1.2 | 42.4 | 48 | | | |
| 9A0824H401 | | 12 to 27.6 | 0.07 | 1.68 | 2,900 | 1.03 | 36.4 | 35.3 | | | 29 |
| 9A0824F401 | | | 0.06 | 1.44 | 2,600 | 0.92 | 32.5 | 28.4 | | | 26 |
| 9A0824M401 | | | 0.05 | 1.2 | 2,350 | 0.83 | 29.3 | 22.5 | | | 23 |
| 9A0824L401 | | | 0.04 | 0.96 | 1,850 | 0.65 | 23.0 | 14.7 | | | 20 |

Models without sensors, or with lock sensors, or PWM control function are available as options. Please refer to the index (p. 470).

Dimensions (unit: mm) (With ribs)



Reference Dimensions of Mounting Holes and Vent Opening (unit: mm)

