

38mm sq.

San Ace 38



General Specifications

- Material Frame: Plastics (Flammability: UL94V-0),
Impeller: Plastics (Flammability: UL94V-1)
- Expected Life Refer to specifications (L10:Survival rate:90% at 60°C ,
rated voltage, and continuously run in a free air state)
- Lead Wire ⊕red ⊖black (Sensor) yellow
- Storage Temperature -20°C to +70°C (Non-condensing)

38×38×28mm (Mass : 50g) **9GV type**

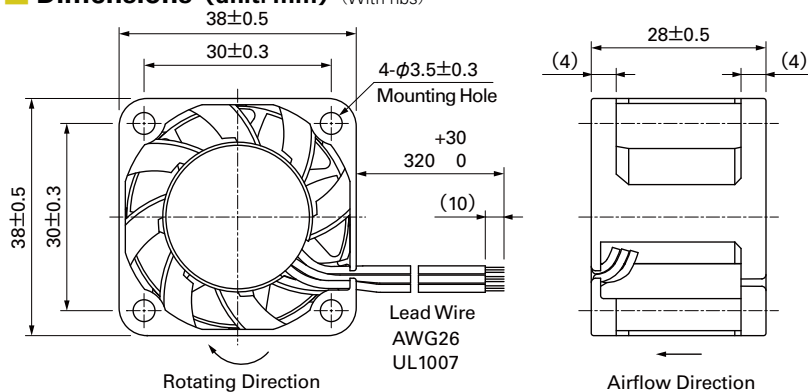
Specifications

The following nos. **have pulse sensors and ribs**. For ribless, append "1" to the model no.

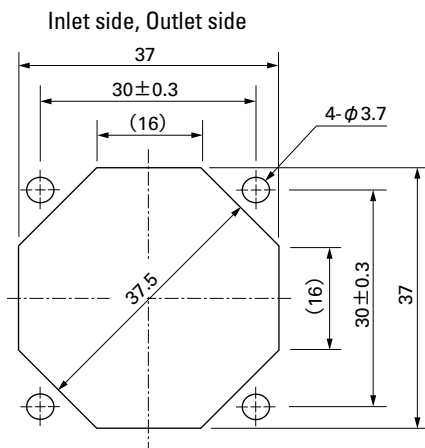
| Model No. | Rated Voltage [V] | Operating Voltage Range [V] | Rated Current [A] | Rated Input [W] | Rated Speed [min ⁻¹] | Max. Airflow [m ³ /min] [CFM] | Max. Static Pressure [Pa] [inchH ₂ O] | SPL [dB(A)] | Operating Temperature [°C] | Expected Life [h] |
|-------------|-------------------|-----------------------------|-------------------|-----------------|----------------------------------|--|--|-------------|----------------------------|-------------------|
| 9GV0312K301 | 12 | 7 to 13.2 | 0.79 | 9.48 | 18,200 | 0.65 | 23 | 425 | 1.707 | 59 |
| 9GV0312J301 | | | 0.6 | 7.2 | 15,900 | 0.57 | 20 | 315 | 1.265 | 54 |
| 9GV0312G301 | | | 0.4 | 4.8 | 13,500 | 0.48 | 17 | 220 | 0.924 | 50 |
| 9GV0312E301 | | 4.5 to 13.2 | 0.21 | 2.52 | 10,500 | 0.37 | 13.1 | 130 | 0.522 | 43 |
| 9GV0312H301 | | | 0.16 | 1.92 | 7,000 | 0.24 | 8.5 | 60 | 0.241 | 34 |

Models without sensors, or with lock sensors, or PWM control function are available as options. Please refer to the index (pp. 476 to 477).

Dimensions (unit: mm) (With ribs)



Reference Dimensions of Mounting Holes and Vent Opening (unit: mm)

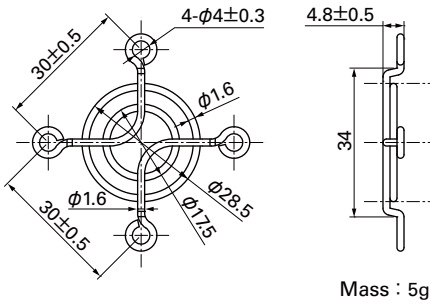


Options (unit: mm)

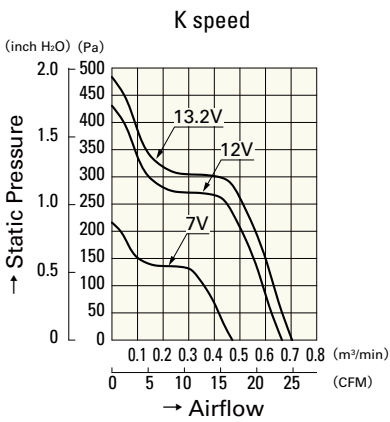
Finger Guards

Model : 109-1065 Surface treatment : Nickel-chrome plating (silver) Color

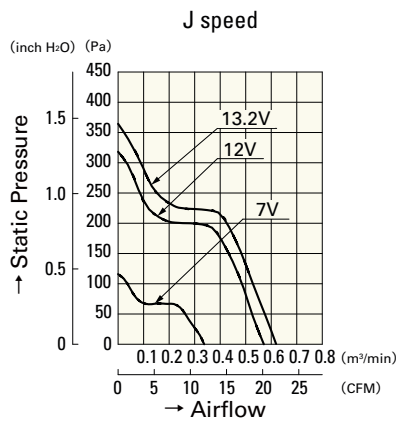
Inlet side, Outlet side



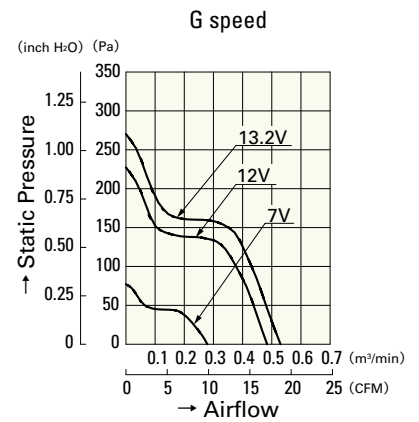
Airflow - Static Pressure Characteristics



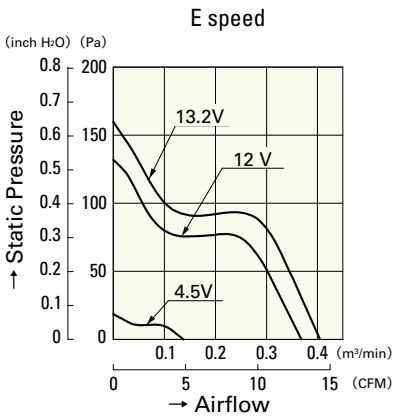
9GV0312K301



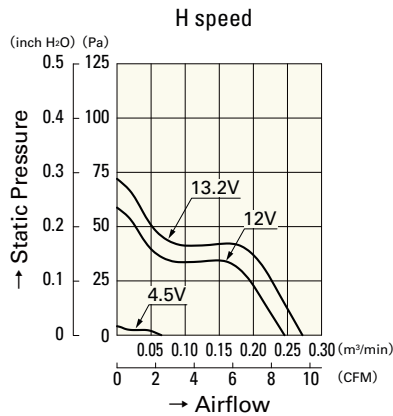
9GV0312J301



9GV0312G301



9GV0312E301



9GV0312H301