

**120**mm sq.

# San Ace 120



## General Specifications

- Material ..... Frame: Plastics (Flammability: UL94V-0),  
Impeller: Plastics (Flammability: UL94V-1)
- Expected Life ..... Refer to specifications (L10:Survival rate:90% at 60°C ,  
rated voltage, and continuously run in a free air state)
- Lead Wire ..... ⊕red ⊖black (Sensor) yellow (Control) brown
- Storage Temperature ..... -30°C to +70°C (Non-condensing)

**120×120×38mm** (Mass : 360g) **9GV type**

## Specifications

The following nos. **have PWM controls, pulse sensors, and ribs.** For ribless, append "1" to the model no.

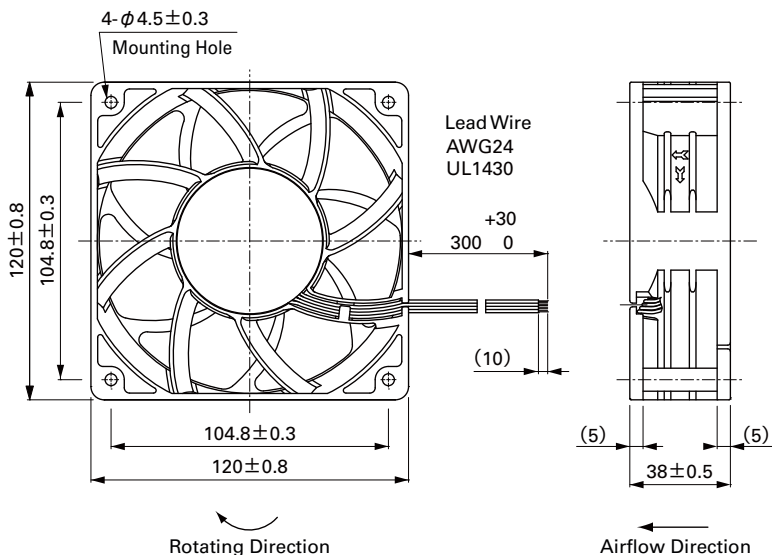
Model No.	Rated Voltage [V]	Operating Voltage Range [V]	PWM duty cycle※ [%]	Rated Current [A]	Rated Input [W]	Rated Speed [min <sup>-1</sup> ]	Max. Airflow [m <sup>3</sup> /min] [CFM]	Max. Static Pressure [Pa] [inchH <sub>2</sub> O]	SPL [dB(A)]	Operating Temperature [°C]	Expected Life [h]
<b>9GV1212P1J01</b>	12	10.2 to 13.8	100	3.00	36.00	6,400	6.35 224.0	360.0 1.45	64	-20 to +70	40,000/60°C
			0	0.19	2.28	1,500	1.49 52.6	19.8 0.08	33		
<b>9GV1212P1G01</b>			100	2.1	25.2	5,500	5.45 192.6	265 1.06	60		
			0	0.19	2.28	1,500	1.49 52.6	19.8 0.08	33		
<b>9GV1224P1J01</b> <small>(Note)</small>	24	20.4 to 27.6	100	1.5	36.00	6,400	6.35 224.0	360 1.45	64		
<b>9GV1224P1H01</b> <small>(Note)</small>			100	0.8	19.2	5,200	5.16 182.3	237 0.95	58		
<b>9GV1248P1J01</b>	48	40.8 to 55.2	100	0.75	36.00	6,400	6.35 224.0	360.0 1.45	64		
			0	0.06	2.88	1,500	1.49 52.6	26.1 0.106	33		
<b>9GV1248P1B10</b> <small>(Note)</small>			100	0.43	20.64	5,250	5.2 183.7	242 0.97	59		

Note: Fan does not rotate when PWM duty cycle is 0%.

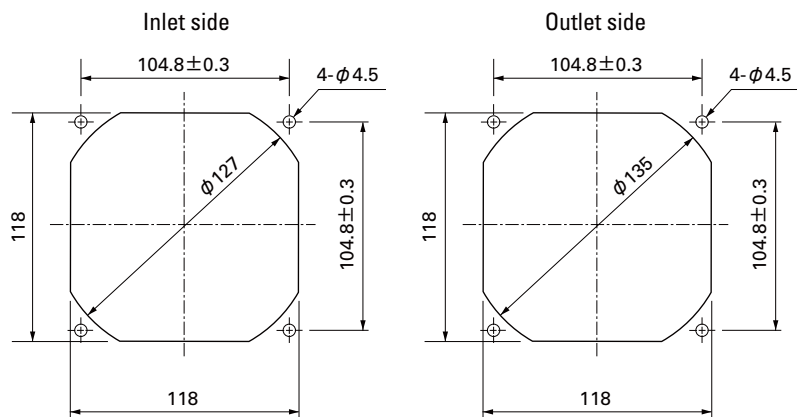
※ PWM Frequency : 25kHz  
9GV1248P1B10 only: 1.4 kHz

Models without sensors, or with pulse sensors (no PWM control function), or lock sensors are available as options. Please refer to the index (pp. 477 to 478).

## Dimensions (unit: mm) (With ribs)



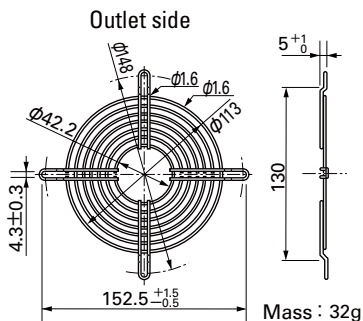
Reference Dimensions of Mounting Holes and Vent Opening (unit: mm)



Options (unit: mm)

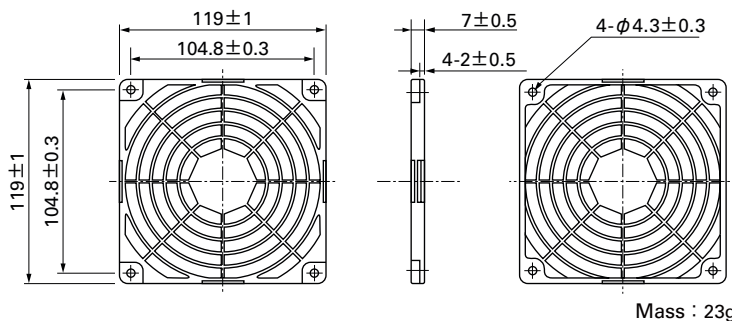
Finger Guards

Model : 109-019C Surface treatment : Nickel-chrome plating (silver) Color  
 : 109-019H : Cation electropainting (black)

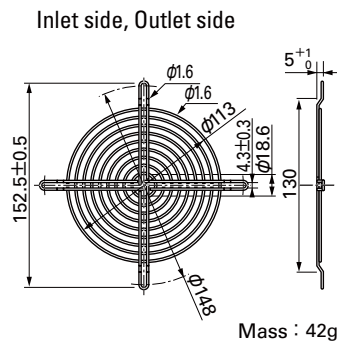


Resin Finger Guards

Model : 109-1000G

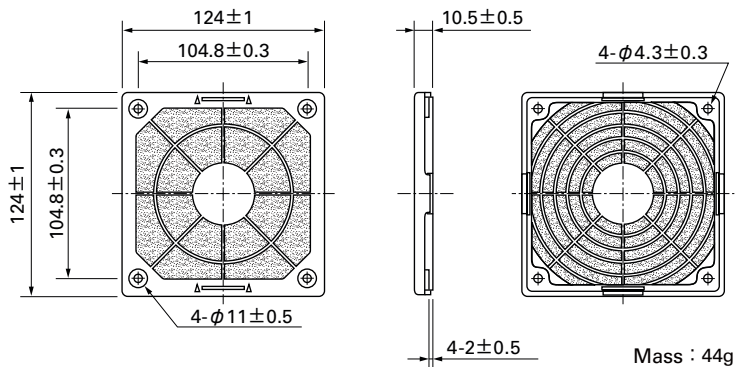


Model : 109-019E Surface treatment : Nickel-chrome plating (silver) Color  
 : 109-019K : Cation electropainting (black)



Resin Filter Kits

Model : 109-1000F13 (13PPI), 109-1000F20 (20PPI)  
 : 109-1000F30 (30PPI), 109-1000F40 (40PPI)



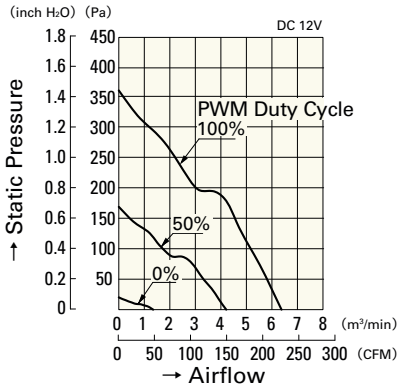
**120**mm sq.

# San Ace 120

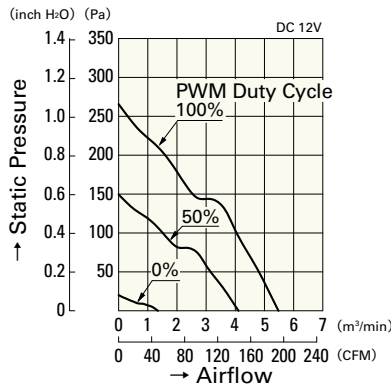
**120×120×38mm** [Mass : 360g]

## Airflow - Static Pressure Characteristics

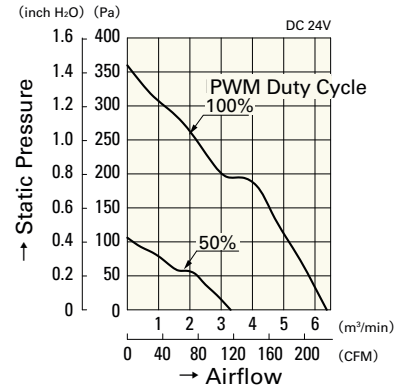
### PWM Duty Cycle



**9GV1212P1J01**

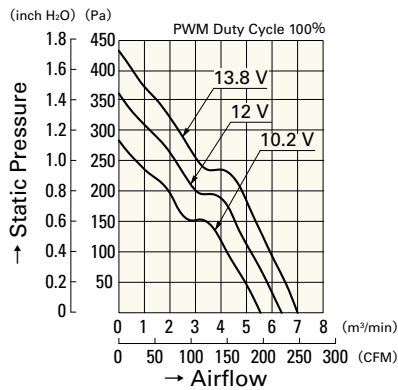


**9GV1212P1G01**

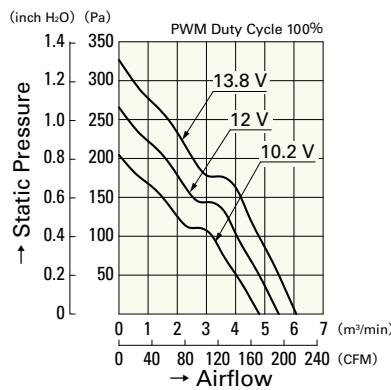


**9GV1224P1J01**

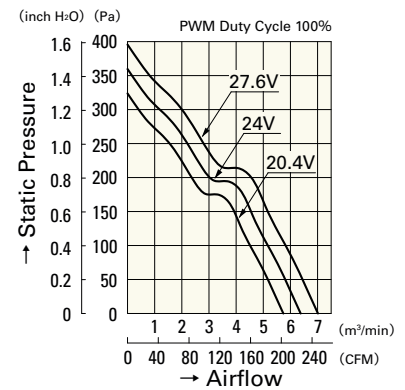
### Operating Voltage Range



**9GV1212P1J01**

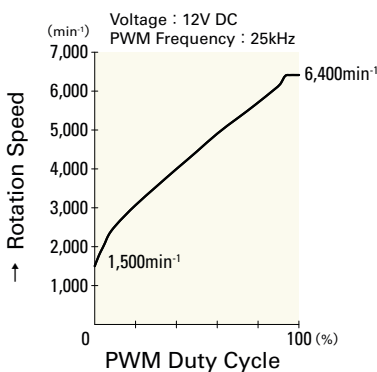


**9GV1212P1G01**

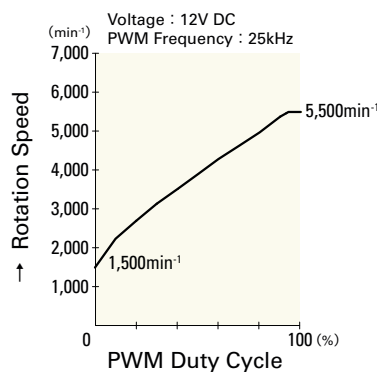


**9GV1224P1J01**

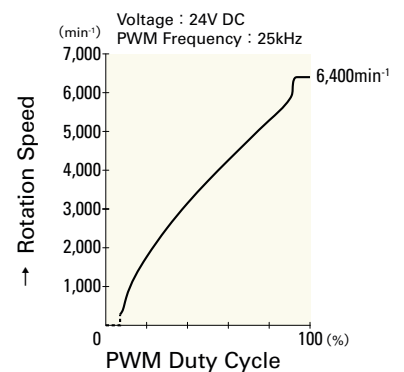
## PWM Duty - Speed Characteristics Example



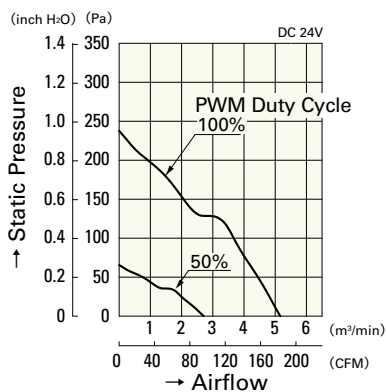
**9GV1212P1J01**



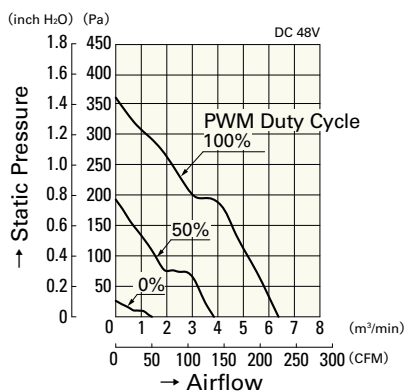
**9GV1212P1G01**



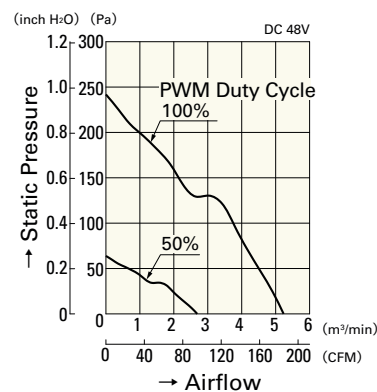
**9GV1224P1J01**



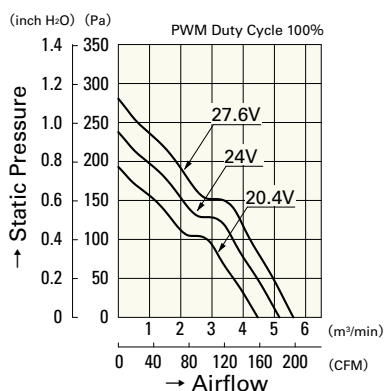
**9GV1224P1H01**



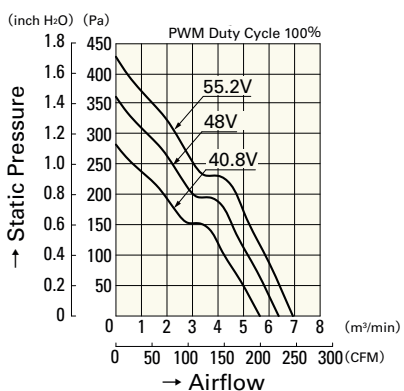
**9GV1248P1J01**



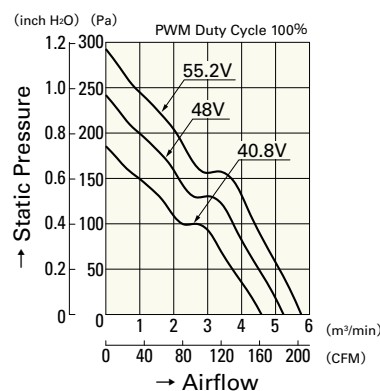
**9GV1248P1B10**



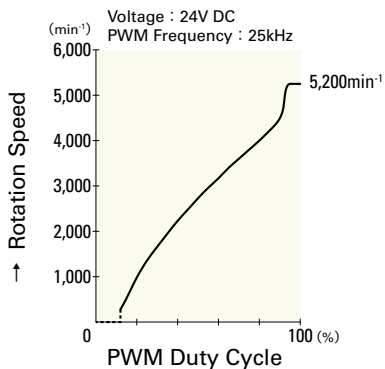
**9GV1224P1H01**



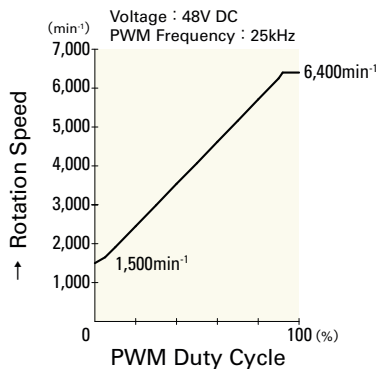
**9GV1248P1J01**



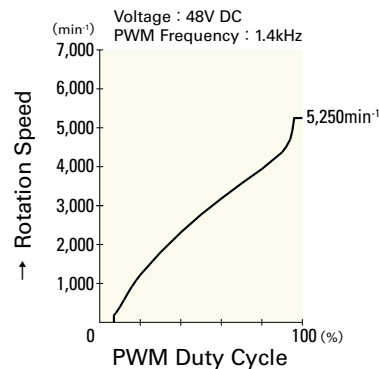
**9GV1248P1B10**



**9GV1224P1H01**



**9GV1248P1J01**



**9GV1248P1B10**