

**92**mm sq.

# San Ace 92L



## General Specifications

- Material ..... Frame: Aluminum, Impeller: Plastics (Flammability: UL94V-1)
- Expected Life ..... Refer to specifications (L10:Survival rate:90% at 60°C , rated voltage, and continuously run in a free air state)
- Lead Wire ..... ⊕red ⊖black (Sensor) yellow (Control) brown
- Storage Temperature ..... -30°C to +70°C (Non-condensing)

**92×92×38mm** (Mass : 270g) **9LG type High Airflow**

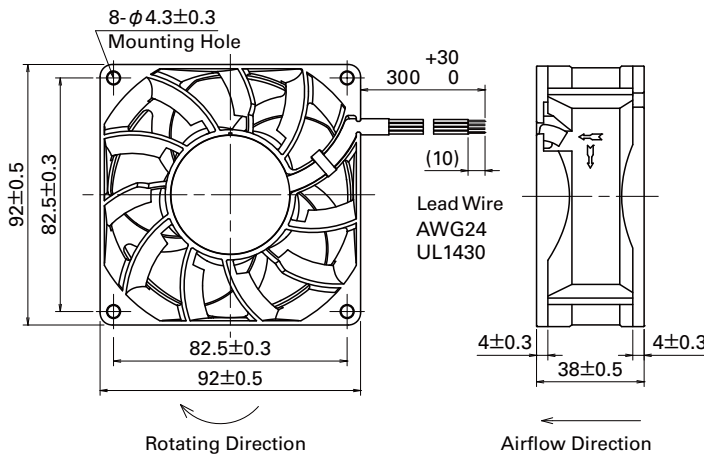
## Specifications The following nos. have PWM controls and pulse sensors.

Model No.	Rated Voltage [V]	Operating Voltage Range [V]	PWM duty cycle <sup>Note 1)</sup> [%]	Rated Current [A]	Rated Input [W]	Rated Speed [min <sup>-1</sup> ]	Max. Airflow [m <sup>3</sup> /min] [CFM]	Max. Static Pressure [Pa] [inchH <sub>2</sub> O]	SPL [dB(A)]	Operating Temperature [°C]	Expected Life [h]
9LG0912P1H001	12	10.2 to 13.8	100	2.0	24.0	9,000	3.70 130.6	430 1.72	61	-20 to +70	180,000/60°C
			20	0.18	2.16	2,700	1.11 39.1	38.7 0.15	30		
9LG0912P1F001			100	1.0	12.0	7,000	2.90 102.4	263 1.05	55		
			20	0.11	1.32	2,000	0.83 29.3	21.5 0.08	22		
9LG0924P1H001	24	20.4 to 27.6	100	0.9	21.6	9,000	3.70 130.6	430 1.72	61		
			20	0.08	1.92	2,700	1.11 39.1	38.7 0.15	30		
9LG0924P1F001			100	0.5	12.0	7,000	2.90 102.4	263 1.05	55		
			20	0.06	1.44	2,000	0.83 29.3	21.5 0.08	22		

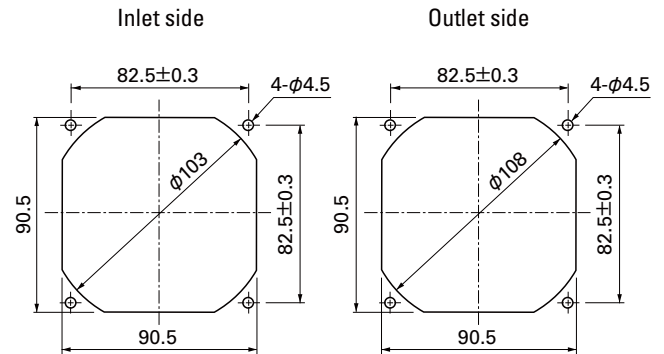
Note : Fan does not rotate when PWM duty cycle is 0%.

※PWM Frequency : 25kHz

## Dimensions (unit: mm)



## Reference Dimensions of Mounting Holes and Vent Opening (unit: mm)

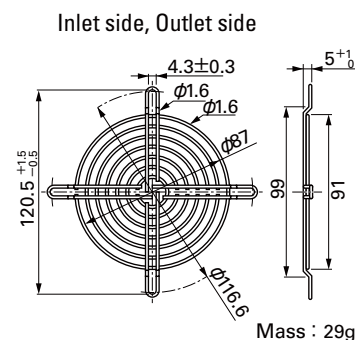
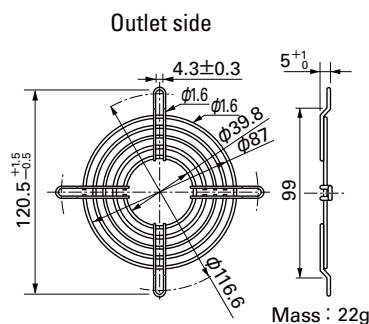


## Options (unit: mm)

### Finger Guards

Model : 109-099C Surface treatment : Nickel-chrome plating (silver) Color : Silver

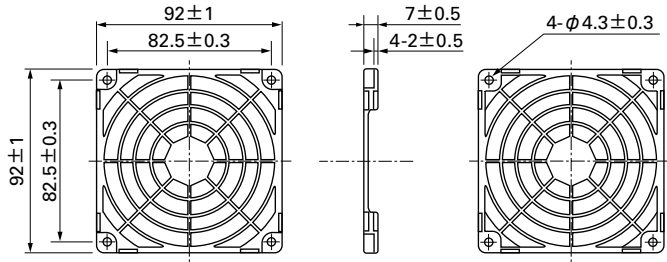
Model : 109-099E Surface treatment : Nickel-chrome plating (silver) Color : Silver  
 : 109-099H Surface treatment : Cation electropainting (black) Color : Black



**Options (unit: mm)**

**Resin Finger Guards**

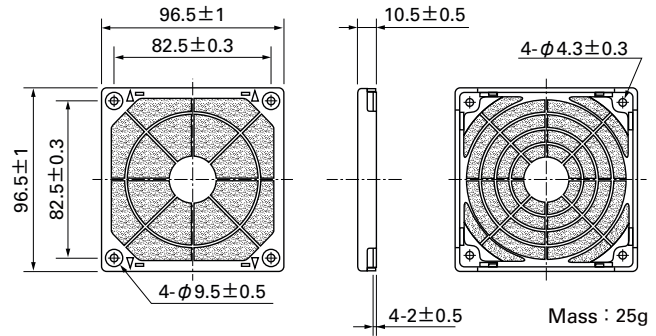
Model : 109-1001G



Mass : 12g

**Resin Filter Kits**

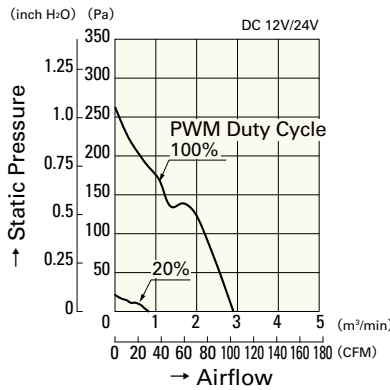
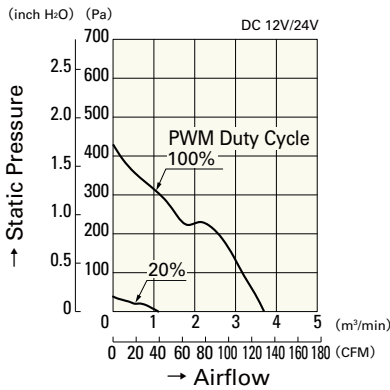
Model : 109-1001F13 (13PPI), 109-1001F20 (20PPI)  
: 109-1001F30 (30PPI), 109-1001F40 (40PPI)



Mass : 25g

**Airflow - Static Pressure Characteristics**

**PWM Duty Cycle**



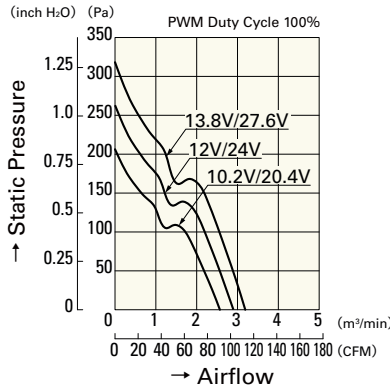
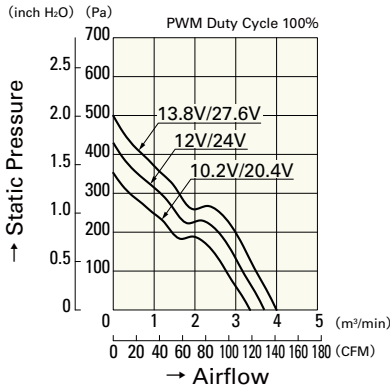
**9LG0912P1H001**

**9LG0924P1H001**

**9LG0912P1F001**

**9LG0924P1F001**

**Operating Voltage Range**



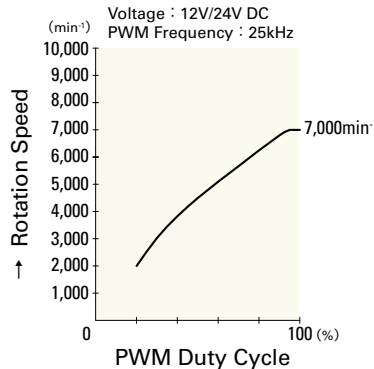
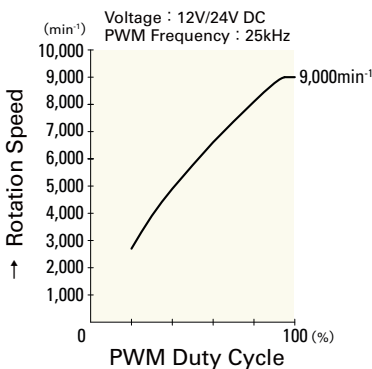
**9LG0912P1H001**

**9LG0924P1H001**

**9LG0912P1F001**

**9LG0924P1F001**

**PWM Duty - Speed Characteristics Example**



**9LG0912P1H001**

**9LG0924P1H001**

**9LG0912P1F001**

**9LG0924P1F001**

**DC**  
**Long Life Fan 92mm**