

**80** mm sq.

# San Ace 80



Model no. 9S0812H401 is not TÜV certified.

## General Specifications

- Material ..... Frame: Plastics (Flammability: UL94V-0),  
Impeller: Plastics (Flammability: UL94V-1)
- Expected Life ..... Refer to specifications (L10:Survival rate:90% at 60°C ,  
rated voltage, and continuously run in a free air state)
- Lead Wire ..... ⊕red ⊖black (Sensor) yellow
- Storage Temperature ..... -30°C to +70°C (Non-condensing)

**80×80×25**mm (Mass : 75g) **9S**type **Silent Fan**

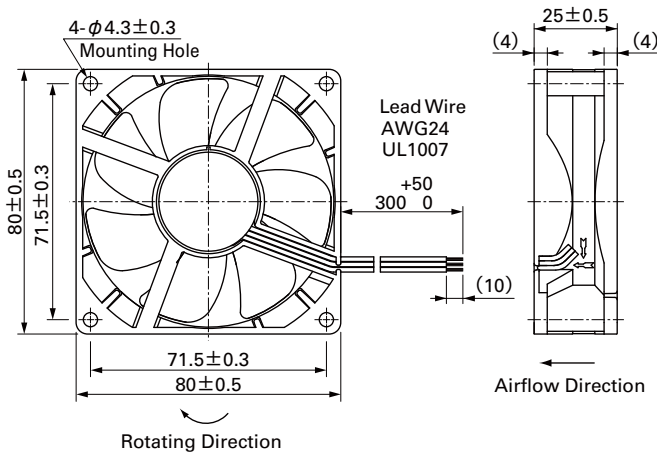
## Specifications

The following nos. **have pulse sensors and ribs**. For ribless, append "1" to the model no.

Model No.	Rated Voltage [V]	Operating Voltage Range [V]	Rated Current [A]	Rated Input [W]	Rated Speed [min <sup>-1</sup> ]	Max. Airflow [m <sup>3</sup> /min] [CFM]	Max. Static Pressure [Pa] [inchH <sub>2</sub> O]	SPL [dB(A)]	Operating Temperature [°C]	Expected Life [h]
9S0812H401	12	5.0 to 13.2	0.23	2.76	3,400	1.12 39.5	52.15 0.20	31	-10 to +70	40,000/60°C
9S0812F401		5.0 to 13.8	0.11	1.32	2,800	0.93 32.8	35.5 0.143	24		
9S0812M401		6.0 to 13.8	0.08	0.96	2,500	0.83 29.3	27.5 0.110	22		
9S0812L401	24	10 to 26.4	0.06	1.44	2,500	0.83 29.3	27.5 0.110	22		
9S0824M401			0.04	0.96	2,000	0.66 23.3	18.1 0.073	16		
9S0824L401										

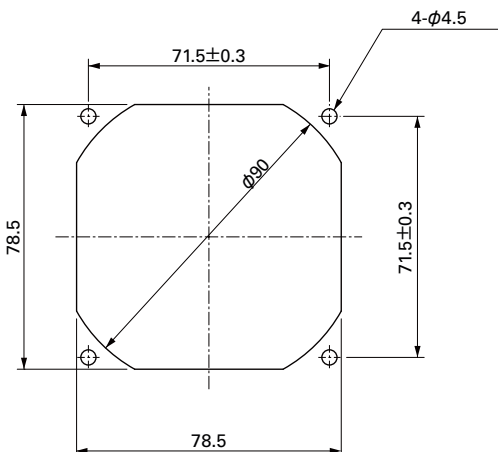
Models without sensors, or with lock sensors, or PWM control function are available as options. Please refer to the index (pp. 479 to 480).

## Dimensions (unit: mm) (With ribs)



## Reference Dimensions of Mounting Holes and Vent Opening (unit: mm)

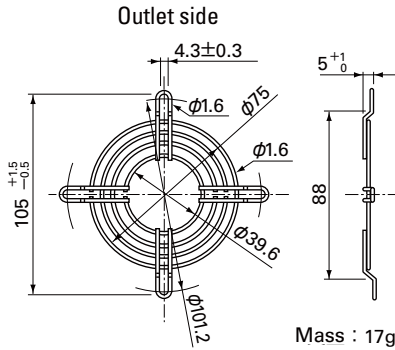
Inlet side, Outlet side



Options (unit: mm)

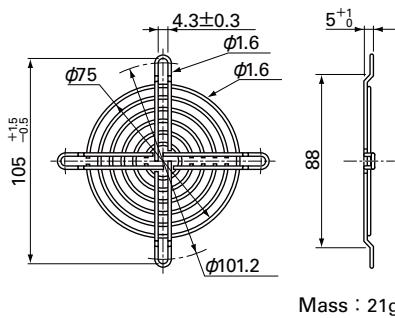
**Finger Guards**

Model : 109-049C Surface treatment : Nickel-chrome plating (silver) Color : Nickel-chrome plating (silver)



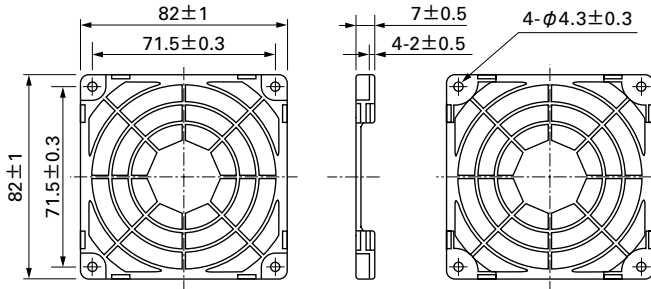
Model : 109-049E Surface treatment : Nickel-chrome plating (silver) Color : Nickel-chrome plating (silver)  
 Model : 109-049H Surface treatment : Cation electropainting (black) Color : Cation electropainting (black)

Inlet side, Outlet side



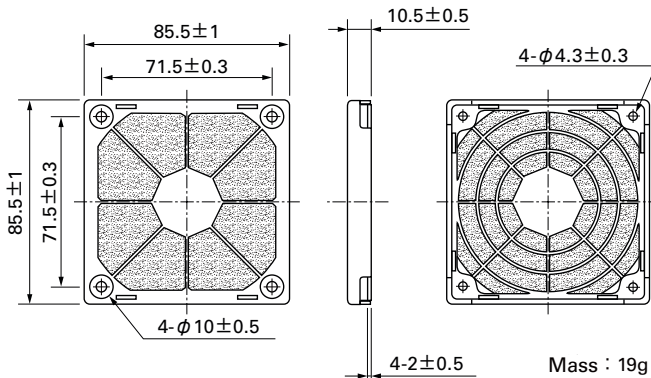
**Resin Finger Guards**

Model : 109-1002G

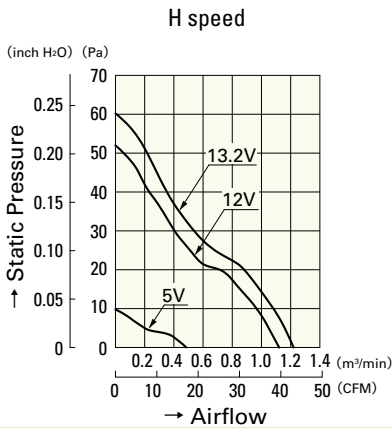


**Resin Filter Kits**

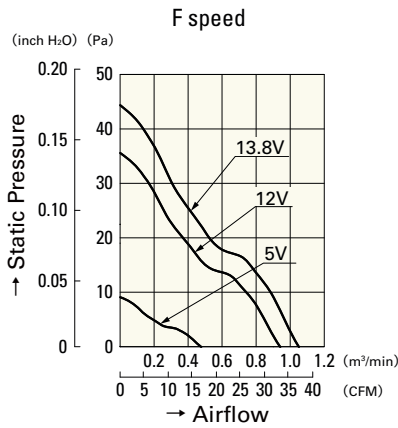
Model : 109-1002F13 (13PPI), 109-1002F20 (20PPI), 109-1002F30 (30PPI), 109-1002F40 (40PPI)



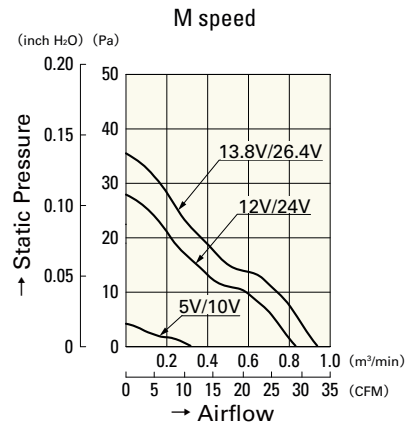
Airflow - Static Pressure Characteristics



**9S0812H401**

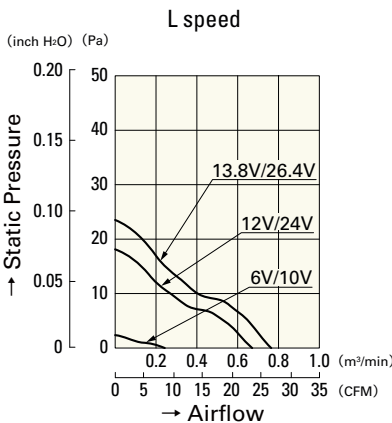


**9S0812F401**



**9S0812M401**

**9S0824M401**



**9S0812L401**

**9S0824L401**