

40 mm sq.

San Ace 40W



General Specifications

- Material Frame: Plastics (Flammability: UL94V-0),
Impeller: Plastics (Flammability: UL94V-1)
- Expected Life Refer to specifications (Indoor, L10:Survival rate:90% at 60°C ,
rated voltage, and continuously run in a free air state)
- Lead Wire ⊕red ⊖black (Sensor) yellow
- Storage Temperature -30°C to +70°C (Non-condensing)

40×40×20 mm (Mass : 50g) **IP 68** **9WP** type

Specifications

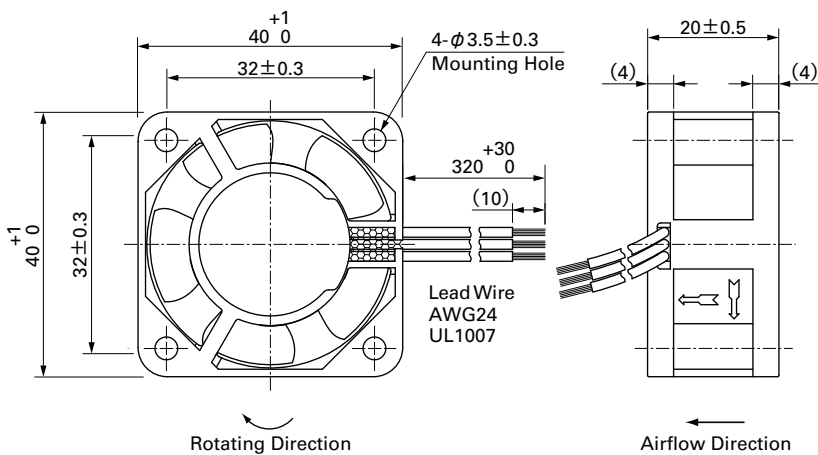
The following nos. have pulse sensors and ribs.

Model No.	Rated Voltage [V]	Operating Voltage Range [V]	Rated Current [A]	Rated Input [W]	Rated Speed [min ⁻¹]	Max. Airflow [m ³ /min] [CFM]	Max. Static Pressure [Pa] [inchH ₂ O]	SPL [dB(A)]	Operating Temperature [°C]	Expected Life [h]
9WP0412H6001	12	7 to 13.8	0.1	1.2	8,000	0.225 8.0	65.7 0.264	33	-10 to +60	40,000/60°C (70,000/40°C)
9WP0412F6001			0.06	0.72	6,500	0.183 6.5	45.1 0.181	28		

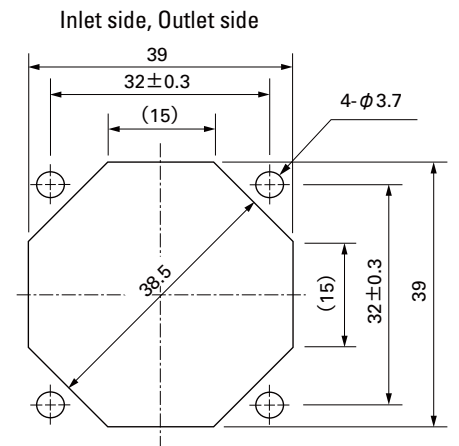
Models without sensors are available as an option. Please refer to the index (p. 481).

Dimensions (unit: mm)

(With ribs)



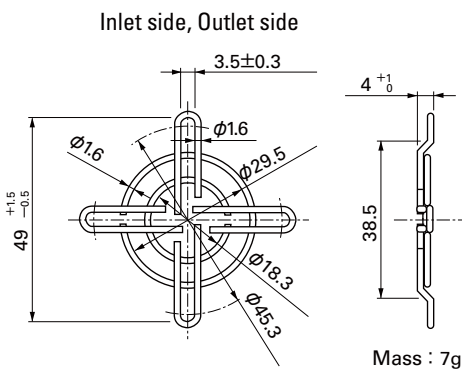
Reference Dimensions of Mounting Holes and Vent Opening (unit: mm)



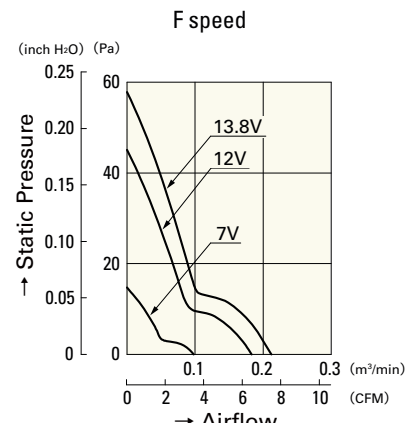
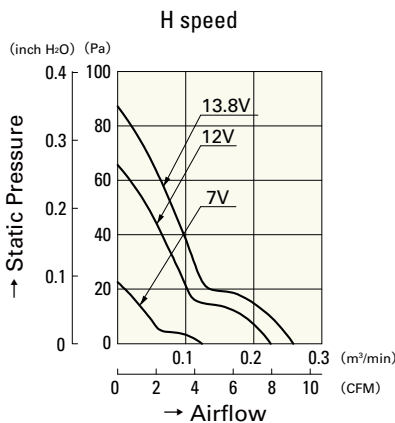
Options (unit: mm)

Finger Guards

Model : 109-059 Surface treatment : Nickel-chrome plating (silver) Color : Silver
 : 109-059H : Cation electropainting (black) : Black



Airflow - Static Pressure Characteristics



9WP0412H6001

9WP0412F6001

40mm sq.

San Ace 40W



DC
Splash Proof Fan 40mm

General Specifications

- Material Frame: Aluminum (Black coating),
Impeller: Plastics (Flammability: UL94V-0)
- Expected Life Refer to specifications (Indoor, L10:Survival rate:90% at 60°C ,
rated voltage, and continuously run in a free air state)
- Lead Wire ⊕red ⊖black (Sensor) yellow (Control) brown
- Storage Temperature -30°C to +70°C (Non-condensing)

40×40×28mm (Mass : 70g) **IP 68** **9WL type** **High Airflow Long Life Fan**

Specifications

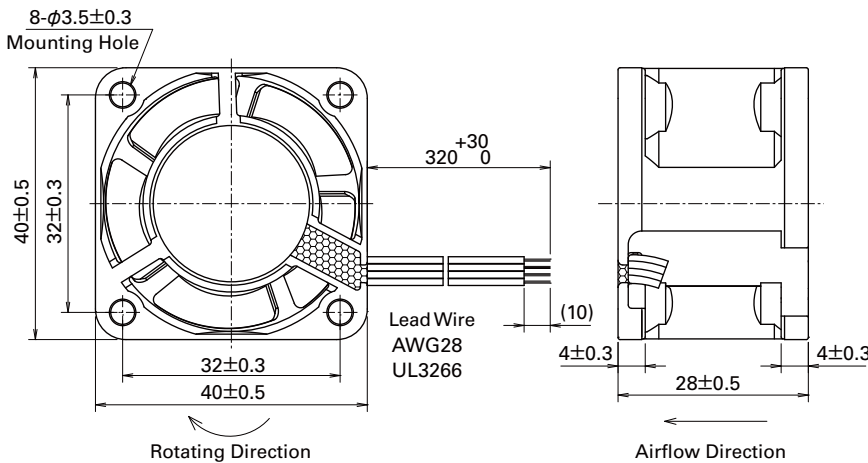
The following nos. **have PWM controls and pulse sensors.**

Model No.	Rated Voltage [V]	Operating Voltage Range [V]	PWM duty cycle (%)	Rated Current [A]	Rated Input [W]	Rated Speed [min ⁻¹]	Max. Airflow [m ³ /min] [CFM]	Max. Static Pressure [Pa] [inchH ₂ O]	SPL [dB(A)]	Operating Temperature [°C]	Expected Life [h]
9WL0412P3J001	12	10.8 to 13.2	100	0.52	6.24	17,500	0.63 22.2	400 1.61	51	-20 to +70	150,000/60°C
			20	0.06	0.72	3,600	0.13 4.6	16.9 0.07	20		
9WL0412P3G001			100	0.40	4.80	15,500	0.56 19.7	310 1.24	47		
			20	0.06	0.72	3,300	0.12 4.2	14.0 0.06	18		
9WL0424P3J001	24	21.6 to 26.4	100	0.26	6.24	17,500	0.63 22.2	400 1.61	51		
			20	0.04	0.96	4,000	0.14 5.1	20.9 0.08	22		
9WL0424P3G001			100	0.20	4.80	15,500	0.56 19.7	310 1.24	47		
			20	0.04	0.96	3,000	0.11 3.8	11.6 0.05	16		

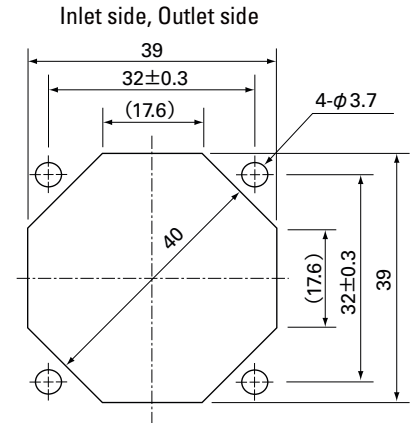
Note: Fan does not rotate when PWM duty cycle is 0%.

※PWM Frequency : 25kHz

Dimensions (unit: mm)



Reference Dimensions of Mounting Holes and Vent Opening (unit: mm)



Options (unit: mm)

Finger Guards

Model : 109-059 Surface treatment : Nickel-chrome plating (silver)
: 109-059H : Cation electropainting (black)

