

40mm sq.

San Ace 40



Model no. 109P0424R3013 is not certified.

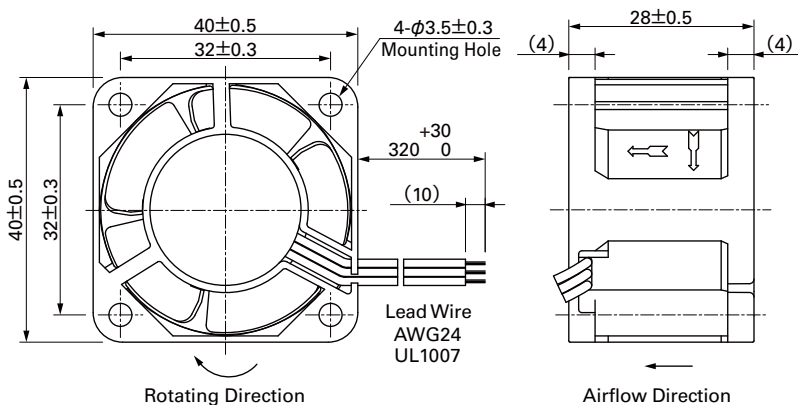
40×40×28mm (Mass : 52g) **9P type**

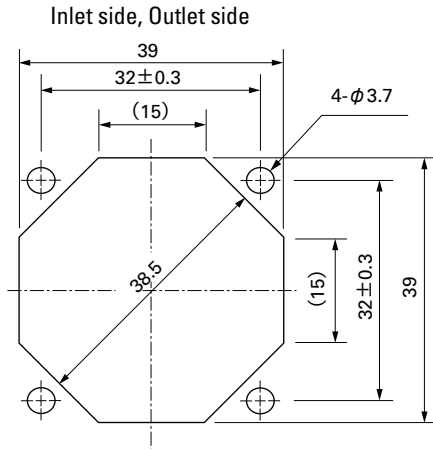
Specifications The following nos. **have pulse sensors and ribs.**

Model No.	Rated Voltage [V]	Operating Voltage Range [V]	Rated Current [A]	Rated Input [W]	Rated Speed [min ⁻¹]	Max. Airflow [m ³ /min] [CFM]	Max. Static Pressure [Pa] [inchH ₂ O]	SPL [dB(A)]	Operating Temperature [°C]	Expected Life [h]
109P0405H3013	5	4.5 to 5.5	0.68	3.4	8,700	0.32 11.3	102.9 0.414	37	-20 to +70	40,000/60°C
109P0405F3013			0.28	1.4	6,700	0.244 8.6	58.8 0.236	30		60,000/60°C
109P0412K3013	12	8 to 13.2	0.55	6.6	15,500	0.59 20.8	340 1.365	50	-20 to +60	40,000/60°C
109P0412J3013			0.35	4.2	12,500	0.46 16.2	210 0.843	44		
109P0412G3013		7 to 13.2	0.31	3.72	11,500	0.42 14.8	179 0.719	42	-20 to +70	60,000/60°C
109P0412B3013			0.28	3.36	10,300	0.38 13.4	143 0.574	40		
109P0412H3013		7 to 13.8	0.195	2.34	8,700	0.32 11.3	102.9 0.414	37	-20 to +70	60,000/60°C
109P0412F3013			0.105	1.26	6,700	0.244 8.6	58.8 0.236	30		
109P0412M3013		10.2 to 13.8	0.045	0.54	4,100	0.15 5.3	21.6 0.087	20		
109P0424R3013		24	12 to 26.4	0.25	6	14,000	0.51 18.0	263.4 1.057	47	-20 to +60
109P0424J3013	0.18			4.32	12,500	0.46 16.2	210 0.843	44		
109P0424G3013	0.19			4.56	11,500	0.42 14.8	179 0.719	42		
109P0424B3013	12 to 27.6		0.13	3.12	10,300	0.38 13.4	143 0.574	40	-20 to +70	60,000/60°C
109P0424H3013			0.095	2.28	8,700	0.32 11.3	102.9 0.414	37		
109P0424F3013			14 to 27.6	0.055	1.32	6,700	0.244 8.6	58.8 0.236		

Models without sensors, or with lock sensors, or PWM control function are available as options. Please refer to the index (pp. 466 to 467).

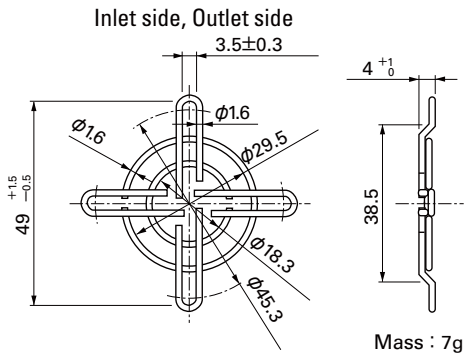
Dimensions (unit: mm)



Reference Dimensions of Mounting Holes and Vent Opening (unit: mm)**Options (unit: mm)****Finger Guards**

Model : 109-059 Surface treatment : Nickel-chrome plating (silver)
 : 109-059H : Cation electropainting (black)

Color

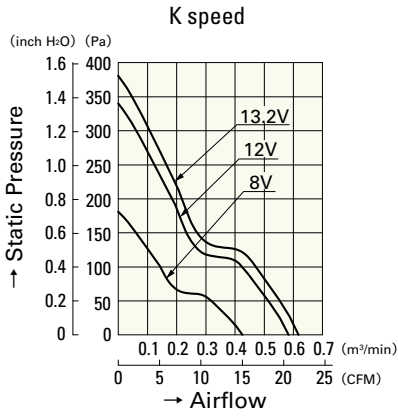


40mm sq.

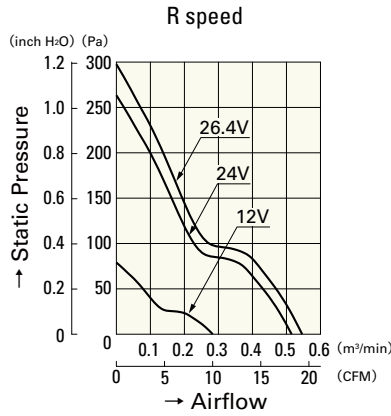
San Ace 40

40×40×28mm [Mass : 52g]

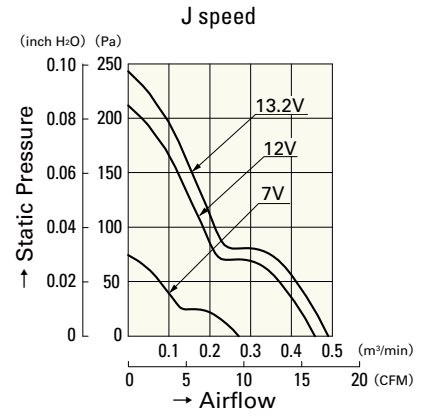
Airflow - Static Pressure Characteristics



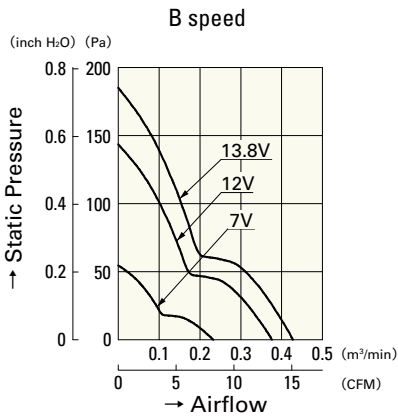
109P0412K3013



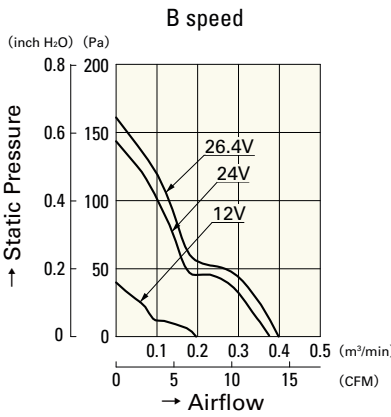
109P0424R3013



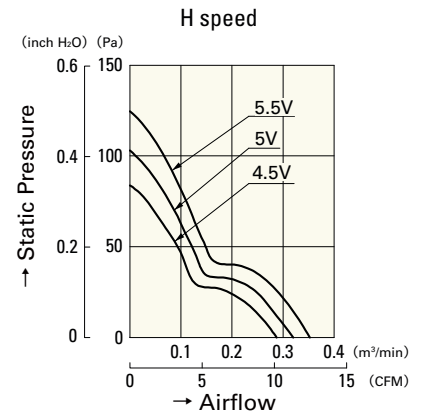
109P0412J3013



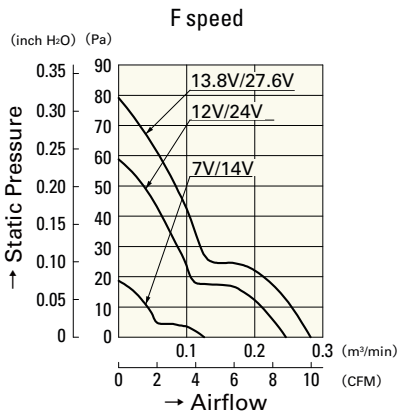
109P0412B3013



109P0424B3013

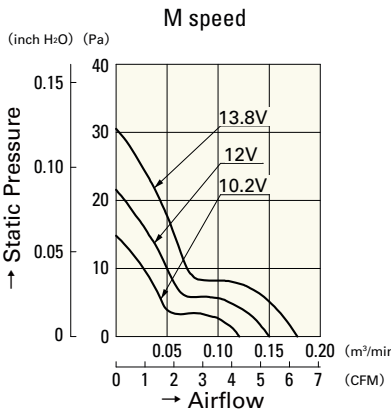


109P0405H3013

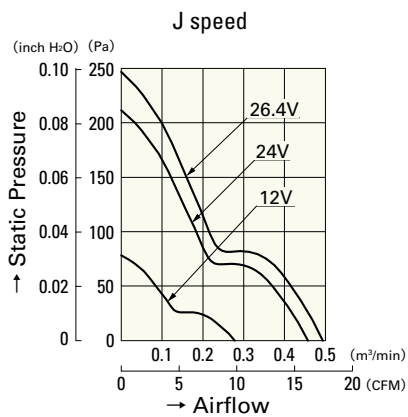


109P0412F3013

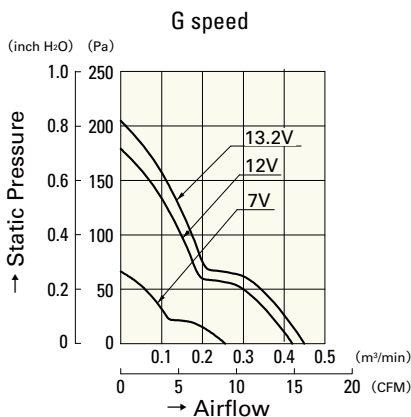
109P0424F3013



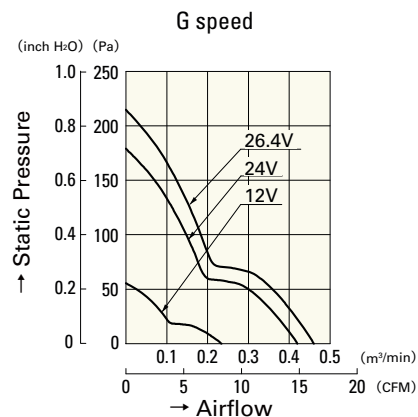
109P0412M3013



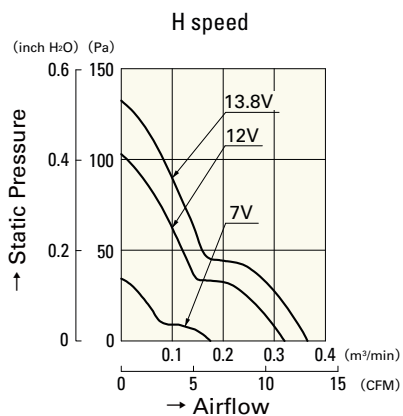
109P0424J3013



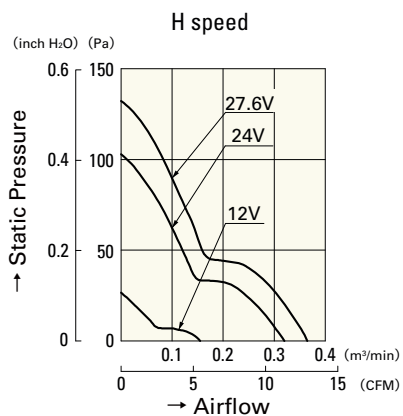
109P0412G3013



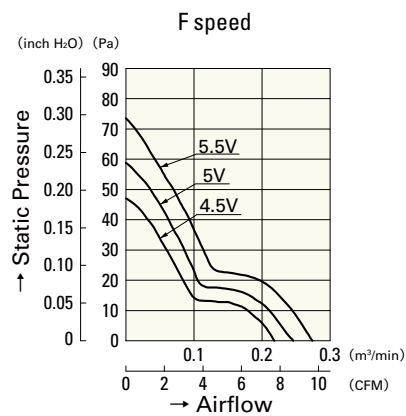
109P0424G3013



109P0412H3013



109P0424H3013



109P0405F3013