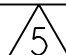
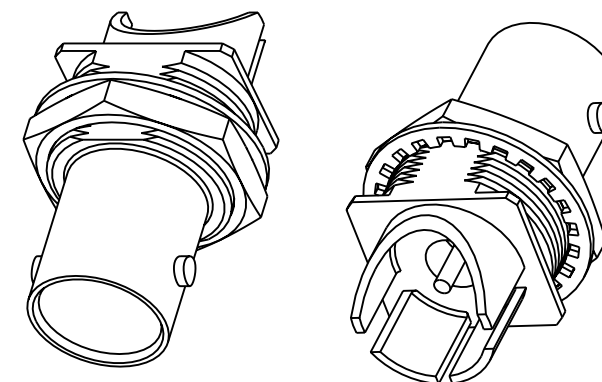
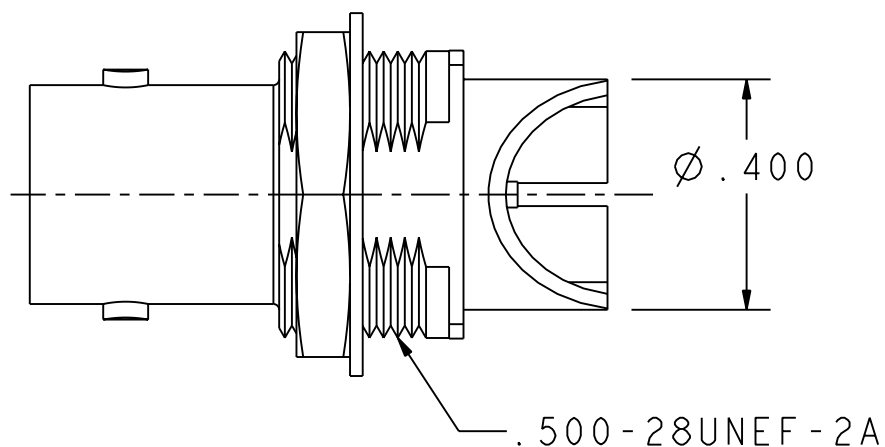


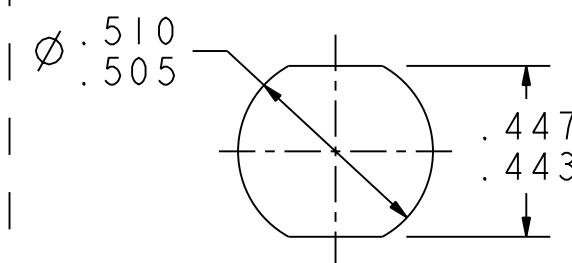
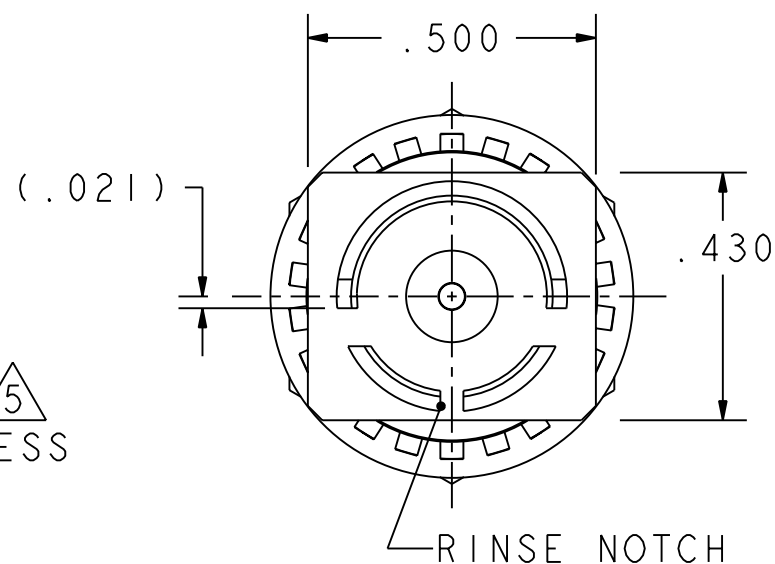
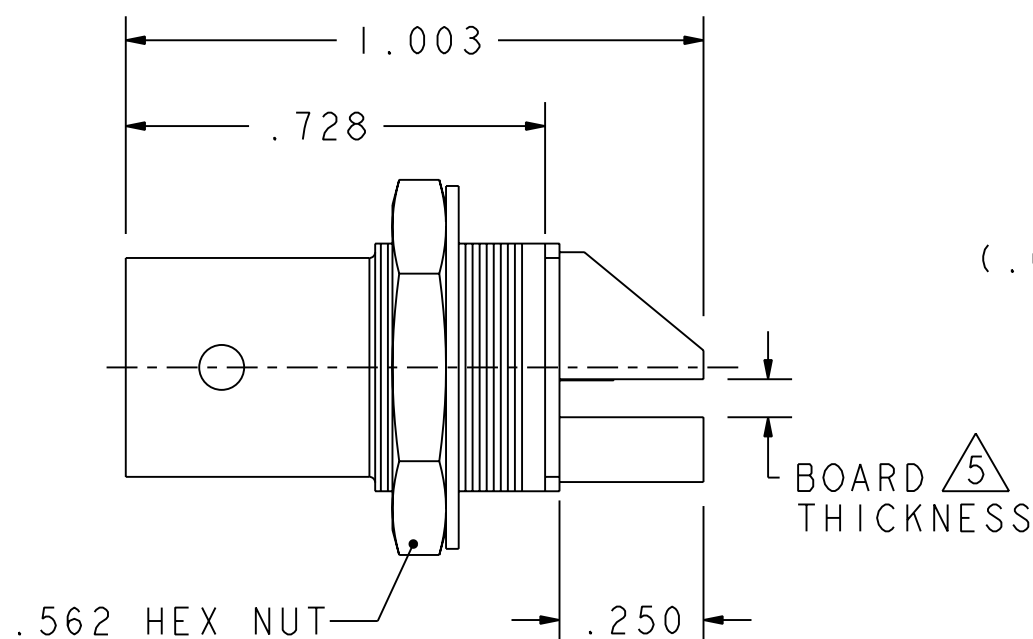
DASH NO	BOARD THICKNESS 
-1	.060-.064
-2	.028-.033
-3	.084

DATA CONTAINED IN THIS DOCUMENT IS PROPRIETARY TO TROMPETER ELECTRONICS INC. AND SHALL NOT BE DISCLOSED, COPIED OR USED FOR PROCUREMENT OR MANUFACTURE WITHOUT EXPRESS WRITTEN PERMISSION

REVISIONS				1-0583	SH 1
REV	ECO NO.	DESCRIPTION	DWN	APPROVED	DATE
A		PRODUCTION RELEASE	AAH		



SCALE 2/1



RECOMMENDED
PANEL CUT-OUT

4. MAX PANEL THICKNESS .179
3. FINISH: BODY: TFS-1Z (GOLD)
CONTACT: TFS-1B (GOLD)
HARDWARE: TFS-1A (NICKEL)
2. 75Ω CIRCUIT BOARD BULKHEAD EDGE MOUNT
"BNC" STYLE RECEPTACLE
1. ALL DIM ARE IN INCHES

QTY	DESCRIPTION		PART NUMBER		ITEM	
TOL UNLESS SPECIFIED .XX ± .XXX ± .005 .XXXX ± ANGLE ±			TROMPETER ELECTRONICS, INC.®		UCBBJE20	
DWG	AAH	2-16-00				MATERIAL
CHK				14949	1-0583	A
ENGR						
NEXT ASSY	APPR			SCALE 3/1	DATE	SHEET 1C