

Bridge Rectifier Diode



Features:

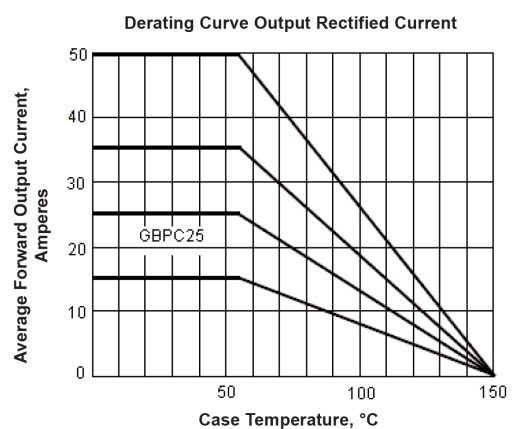
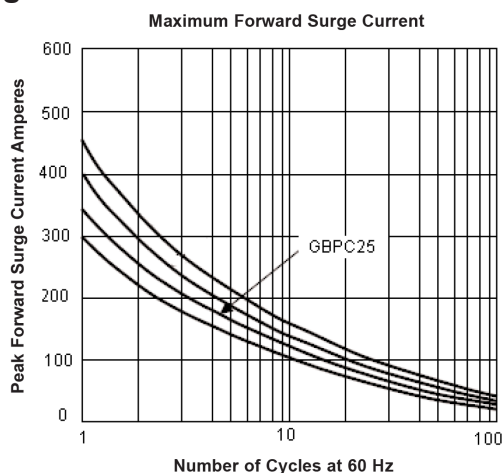
- Glass Passivated
- Surge overload 450 amperes peak
- Low forward voltage drop
- Mounting position : Any
- Electrically isolated base - 2,000V
- Materials used carries U/L recognition
- Reverse Voltage: 1,000 V
- Forward Current: 50 Amperes

Maximum Ratings and Electrical Characteristics

Rating at 25°C ambient temperature unless otherwise specified
 Single phase, half wave, 60Hz, resistive or inductive load
 For capacitive load, derate current by 20%

Characteristics	Symbol	Values	Units
Max. Recurrent Peak Reverse Voltage	V_{RRM}	1,000	V
Max. RMS Voltage	V_{RMS}	700	
Max. DC Blocking Voltage	V_{DC}	1,000	
Maximum Average Forward Rectified Current at $T_c = 55^\circ C$	$I_{(AV)}$	50	A
Peak Forward Surge Current, Single Sine-wave Superimposed on Rated Load	I_{FSM}	450	
Maximum Forward Voltage Drop Per Element at 7.5 / 12.5 / 17.5 / 25 A Peak	V_F	1.1	V
Maximum Reverse Current at Rated DC Blocking Voltage Per Element at $T_J = 25^\circ C$	I_R	10	μA
Operating Temperature Range	T_J	-50 to +150	$^\circ C$
Storage Temperature Range	T_{STG}		

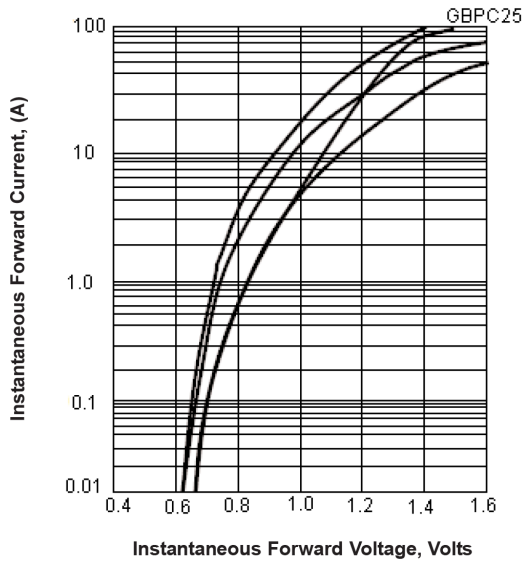
Rating and Characteristic Curves



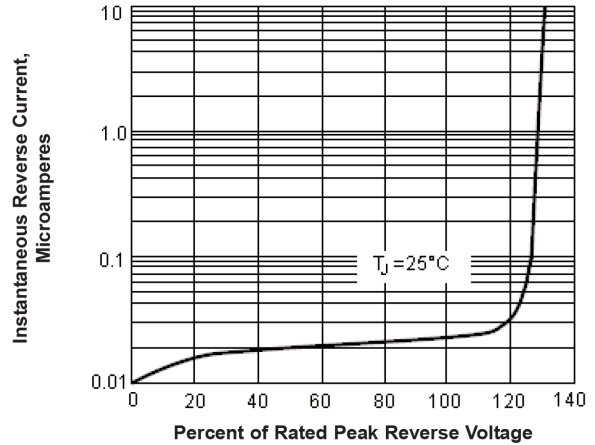
Bridge Rectifier Diode



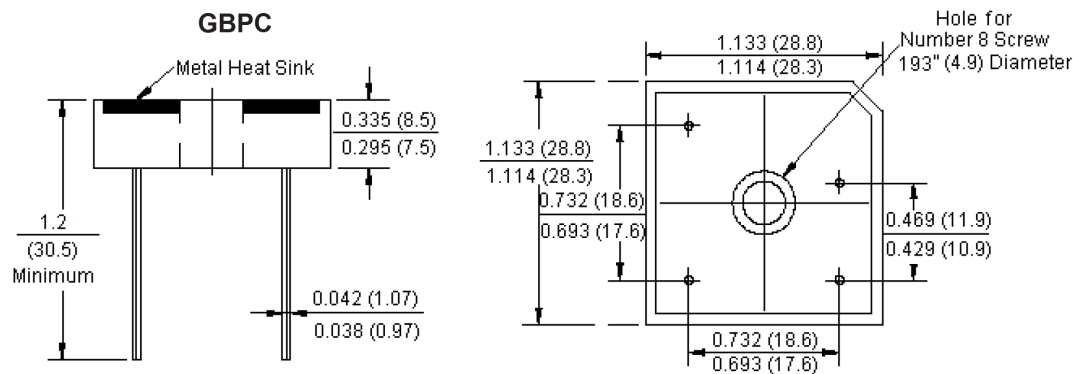
Typical Forward Characteristics



Typical Reverse Characteristics



Dimensions:



Dimensions : Inches (Millimetres)

Part Number Table

Description	Part Number
Bridge Rectifier, Single, 25A, 1,000V	GBPC2510+

Important Notice : This data sheet and its contents (the "Information") belong to the members of the Premier Farnell group of companies (the "Group") or are licensed to it. No licence is granted for the use of it other than for information purposes in connection with the products to which it relates. No licence of any intellectual property rights is granted. The Information is subject to change without notice and replaces all data sheets previously supplied. The Information supplied is believed to be accurate but the Group assumes no responsibility for its accuracy or completeness, any error in or omission from it or for any use made of it. Users of this data sheet should check for themselves the Information and the suitability of the products for their purpose and not make any assumptions based on information included or omitted. Liability for loss or damage resulting from any reliance on the Information or use of it (including liability resulting from negligence or where the Group was aware of the possibility of such loss or damage arising) is excluded. This will not operate to limit or restrict the Group's liability for death or personal injury resulting from its negligence. Multicomp is the registered trademark of the Group. © Premier Farnell Limited 2016.

