



Main

Range of product	OsiSense XU
Series name	Application material handling
Electronic sensor type	Photo-electric sensor
Sensor name	XUY
Sensor design	Compact 50 x 50
Detection system	Diffuse
Material	Plastic
Supply circuit type	DC
Wiring technique	5-wire
Discrete output type	PNP
Analogue output range	4...20 mA
Electrical connection	1 male connector M12, 5 pins
Product specific application	Measuring thickness of mechanical parts Position control of robot arm
Emission	Red laser, pulsed (class 1), wavelength: 650 nm conforming to IEC 825-1
[Sn] nominal sensing distance	80...300 mm

Buy online

Complementary

Enclosure material	ABS, anti-shock
Pulse frequency	2.5 kHz
Linearity	< 0.25 %
Spot diameter	5.25 mm at 80 mm
Spot dimension	1.5 x 3.5 mm at 80 mm
Resolution	200 µm
Status LED	1 LED (green) for supply on 1 LED (red) for dirty
[Us] rated supply voltage	24 V DC with reverse polarity protection
Supply voltage limits	18...28 V DC
Switching capacity in mA	100 mA (overload and short-circuit protection)
Switching frequency	< 40 Hz
Voltage drop	<= 2.4 V (closed state)
Current consumption	40 mA (no-load)
Delay response	40 ms for output circuit medium speed mode 0.4 ms for output circuit fast speed mode
Setting-up	Parameterizing by buttons
Product weight	0.057 kg

Environment

Product certifications	CE
Ambient air temperature for operation	0...45 °C
Ambient air temperature for storage	-20...60 °C
Immunity to ambient light	5000 lux with natural light
Vibration resistance	7 gn, amplitude = +/- 1.5 mm (f = 10...55 Hz) conforming to IEC 60068-2-6
Shock resistance	30 gn (duration = 11 ms) conforming to IEC 60068-2-27
IP degree of protection	IP67 conforming to IEC 60529

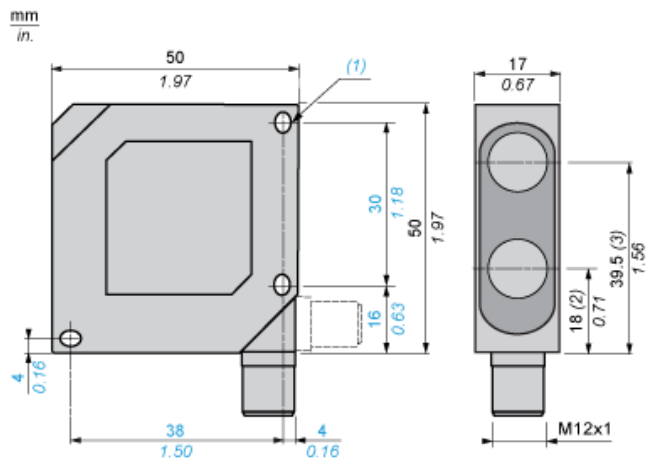
Offer Sustainability

Sustainable offer status	Not Green Premium product
RoHS (date code: YYWW)	Will not be compliant

Contractual warranty

Warranty period	18 months
-----------------	-----------

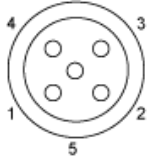
Dimensions



- (1) 2 elongated holes $\varnothing 4.3 \times 4$
- (2) Transmitter optical axis
- (3) Receiver optical axis

Wiring Schemes

M12



- 1: Brown
- 2: White
- 3: Blue
- 4: Black
- 5: Grey

PNP Output

PNP	BN	18-28 V
	WH	QA
	BU	0 V
	BK	Q
	GY	IN

- BN : Brown : 18-28V
- WH : White : 4-20 mA analogue output (R< 500 Ohm)
- BU : Blue : 0 V
- BK : Black : OUT/Output
- GY : Grey : IN

Adjustment Curves

