

XUM8APCNL03M12

photo-electric sensor - XUM - BGS - Sn 0.3m - 12..24VDC - M12 - cable 0.3m



Main

Range of product	OsiSense XU
Series name	General purpose single mode
Electronic sensor type	Photo-electric sensor
Sensor name	XUM
Sensor design	Miniature
Detection system	Diffuse with background suppression
Material	Plastic
Type of output signal	Discrete
Supply circuit type	DC
Wiring technique	3-wire
Discrete output type	PNP
Discrete output function	1 NO or 1 NC programmable
Electrical connection	Remote male connector M12, 4 pins
Cable length	0.3 m
Product specific application	-
Emission	Red diffuse with background suppression
[Sn] nominal sensing distance	0.3 m diffuse with background suppression

Buy online

Complementary

Enclosure material	PBT
Lens material	PC
Maximum sensing distance	0.3 m diffuse with background suppression
Output type	Solid state
Wire insulation material	PVC
Status LED	1 LED (green) for instability 1 LED (orange) for output state
[Us] rated supply voltage	12...24 V DC with reverse polarity protection
Supply voltage limits	10...30 V DC
Switching capacity in mA	<= 100 mA (overload and short-circuit protection)
Voltage drop	<= 2 V (closed state)
Current consumption	<= 20 mA (no-load)
Delay first up	< 100 ms
Delay response	< 1 ms
Setting-up	Sensitivity adjustment by potentiometer
Depth	20 mm
Height	33 mm
Length	11 mm
Width	11 mm
Product weight	0.02 kg

The information provided in this documentation contains general descriptions and/or technical characteristics of the performance of the products contained herein. This documentation is not intended as a substitute for and is not to be used for determining suitability or reliability of these products for specific user applications. It is the duty of any such user or integrator to perform the appropriate and complete risk analysis, evaluation and testing of the products with respect to the relevant specific application or use thereof. Neither Schneider Electric Industries SAS nor any of its affiliates or subsidiaries shall be responsible or liable for misuse of the information contained herein.

Environment

Product certifications	CE CURus
Ambient air temperature for operation	-25...55 °C
Ambient air temperature for storage	-30...70 °C
Immunity to ambient light	3000 lux with natural light 3000 lux with incandescent light
Vibration resistance	20 gn, amplitude = +/- 1.5 mm (f = 10...500 Hz) conforming to IEC 60068-2-6
Shock resistance	50 gn (duration = 11 ms) conforming to IEC 60068-2-27
IP degree of protection	IP67 conforming to IEC 60529

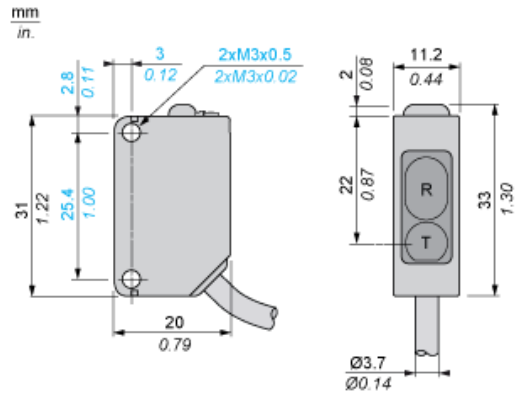
Offer Sustainability

Sustainable offer status	Not Green Premium product
RoHS (date code: YYWW)	Compliant - since 1210 - Schneider Electric declaration of conformity Schneider Electric declaration of conformity

Contractual warranty

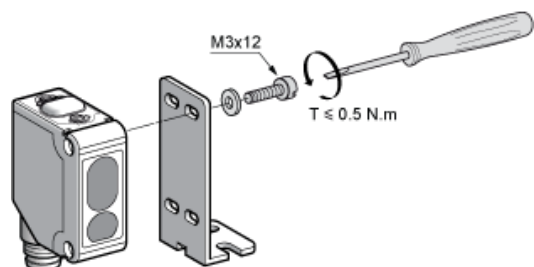
Warranty period	18 months
-----------------	-----------

Dimensions



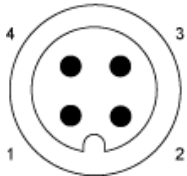
R: Reception
T: Transmission

Mounting



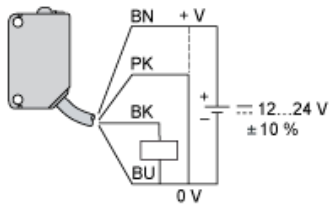
Wiring Schemes

M12 Connector



- 1 : (+)
- 2 : Mode/Input
- 3 : (-)
- 4 : Output

PNP Output



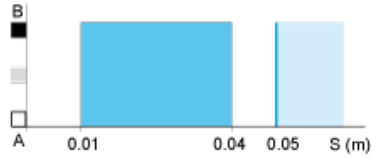
- BU : Blue
- BN : Brown
- BK : Black
- PK : Pink

Note :This scheme is represented in "background suppression" mode, cabling of pink (PK) wire to 0 V

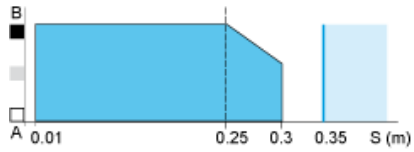
Detection Curves

Variation of Usable Sensing Distance

Minimum Setting



Maximum Setting



- (1) Black
- (2) Grey
- (3) White
- (4) Sensing range
- (5) Non sensing zone (matt surfaces)

A-B : Object reflection coefficient

- (1) Black 6%
- (2) Grey 18%
- (3) White 90%
- (4) Sensing range
- (5) Non sensing zone (matt surfaces)