

**PLEASE CHECK WWW.MOLEX.COM FOR LATEST PART INFORMATION**

**Part Number:** [2018410030](#)  
**Status:** **Active**  
**Overview:** MultiCat™ Power Connectors with Precision-Machined Contacts  
**Description:** MultiCat™ Inline Receptacle Housing, 3 Circuits, Black, Key A

**Documents:**

<a href="#">3D Model</a>	<a href="#">Packaging Specification 2018410000-PK-000 (PDF)</a>
<a href="#">Drawing (PDF)</a>	<a href="#">Test Summary 2018400000-TS-000 (PDF)</a>
<a href="#">Product Specification 2018400000-PS-000 (PDF)</a>	<a href="#">RoHS Certificate of Compliance (PDF)</a>
<a href="#">Application Specification 2018400000-AS-000 (PDF)</a>	<a href="#">Product Literature (PDF)</a>

**Agency Certification**

UL E29179

**General**

Product Family	Crimp Housings
Series	<a href="#">201841</a>
Application	Power, Wire-to-Board, Wire-to-Wire
Overview	<a href="#">MultiCat™ Power Connectors with Precision-Machined Contacts</a>
Product Literature Order No	987651-4731
Product Name	MultiCat™
UPC	889056746403

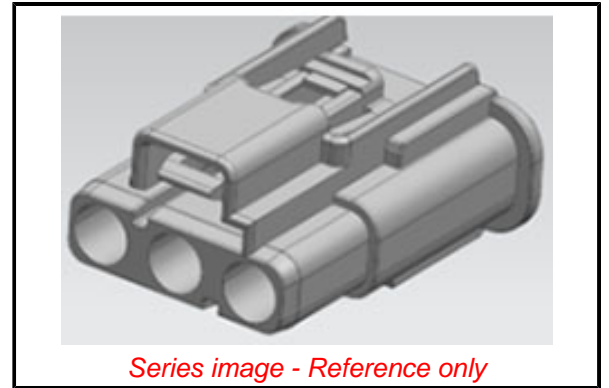
**Physical**

Circuits (maximum)	3
Color - Resin	Black
Flammability	94V-0
Gender	Receptacle
Glow-Wire Compliant	No
Keying to Mating Part	Yes
Lock to Mating Part	Yes
Material - Resin	PEI
Net Weight	5.780/g
Number of Rows	1
Packaging Type	Bag
Panel Mount	No
Pitch - Mating Interface	7.40mm
Polarized to Mating Part	Yes
Temperature Range - Operating	-40°C to +150°C

**Material Info**

**Reference - Drawing Numbers**

Application Specification	2018400000-AS-000
Packaging Specification	2018410000-PK-000
Product Specification	2018400000-PS-000
Sales Drawing	2018410000-SD-000
Test Summary	2018400000-TS-000



Series image - Reference only

**EU ELV**

**Not Reviewed**

**EU RoHS**

**Not Reviewed**

**REACH SVHC**

Not Reviewed

**Halogen-Free**

**Status**

**Not Reviewed**

**Need more information on product environmental compliance?**

Email [productcompliance@molex.com](mailto:productcompliance@molex.com)  
Please visit the [Contact Us](#) section for any non-product compliance questions.

China ROHS

Not Reviewed

ELV

Not Reviewed

RoHS Phthalates

Not Reviewed

**Search Parts in this Series**

[201841](#) Series

**Mates With**

MultiCat™ Inline Plug Housing [201840](#) ,  
MultiCat™ Header [201843](#) , [201842](#)

**Use With**

MultiCat™ Contacts [201846](#)