


MCOB20805AV-EGP	2 x 8	Euro/Jap/Cyrillic	OLED Module
Specification			
Version: 1	Date: 16/05/2017		
Revision			

Display Features					
Character Count	2 x 8			Box Quantity	Weight / Display
Appearance	Green on Black				
Logic Voltage	5V			---	---
Interface	Parallel				
Font Set	English / European / Cyrillic				
Character Height	5.56 mm				
Module Size	58.00 x 32.00 x 10.00 mm				
Operating Temperature	-40°C ~ +80°C				
Construction	COB				

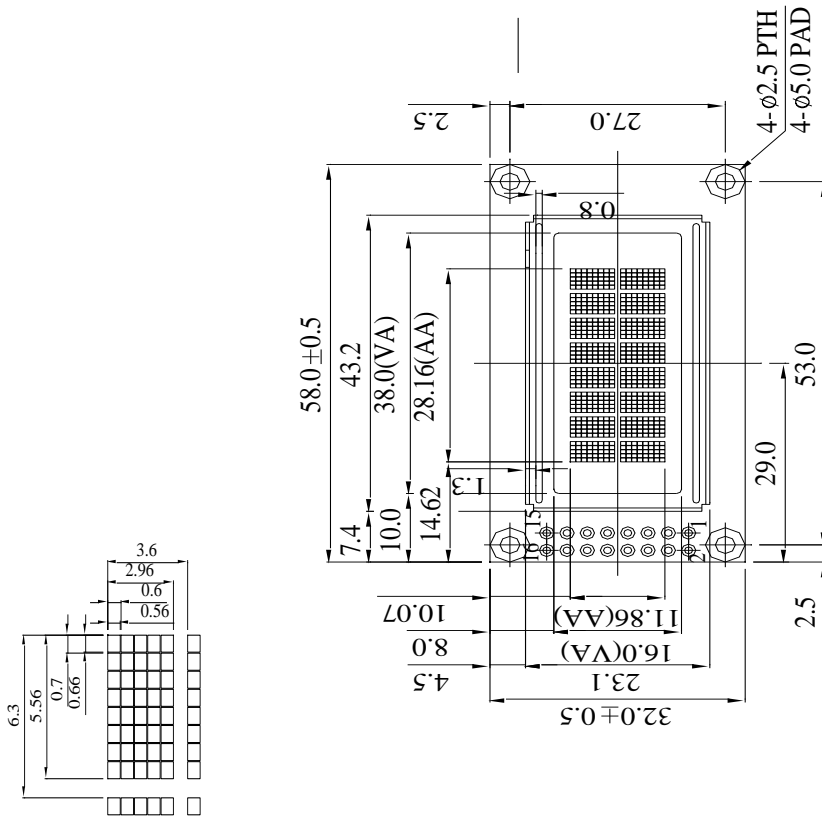
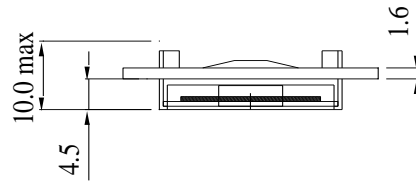
* - For full design functionality, please use this specification in conjunction with the MS0010 specification. (Provided Separately)

Display Accessories	
Part Number	Description
MCCMDB-16DIL	LCD Interconnect board, can be driven from either a PC or a single Board computer with a USB output.
MCCBL1A16DILP-DILS-150	16 Way, Dual in-line to Dual in-line connector cable.

Optional Variants	
Appearance	Voltage
Yellow on Black	
White on Black	
Blue on Black	
Red on Black	

Mechanical Specifications

Module Size	58.00 x 32.00 x 10.00 (With Backlight)				W x H x D mm
Viewing Area	38.00 x 16.00	W x H mm	Hole-to-Hole	53.00 x 27.00	W x H mm
Character Size	2.96 x 5.56	W x H mm	Character Pitch	3.60 x 6.30	W x H mm
Dot Size	0.56 x 0.66	W x H mm	Dot Pitch	0.60 x 0.70	W x H mm

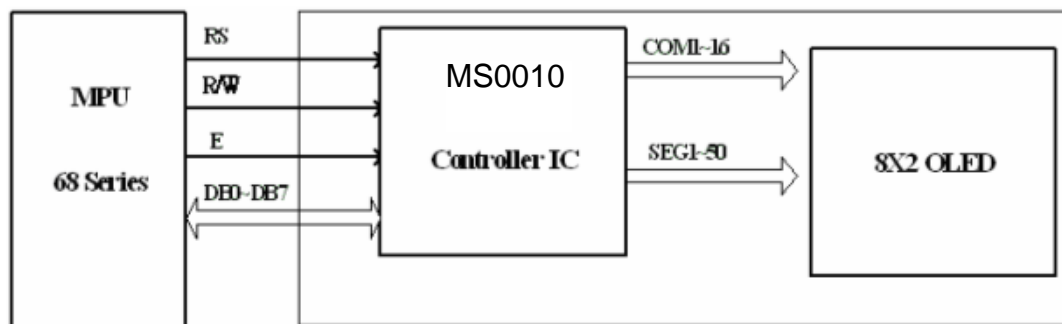


DOT SIZES
SCALE 5/1

The non-specified tolerance of dimension is ± 0.3 mm .

MCOB20805AV-EGP	2 x 8	Euro/Jap/Cyrillic	OLED Module
Version: 1		Date: 16/05/2017	
Specification			
Revision			

Pin layout			
Pin	Symbol	Description	Remarks
1	VSS	Ground	
2	VDD	Supply Voltage for Logic	5V
3	NC	No Connection	
4	RS	H: Data L: Instruction Code	H/L
5	R/W	H: Read(MPU-->Module) L: Write(MPU-->Module)	H/L
6	E	Chip Enable Signal	H, H -->L
7	DB0	Data Bus Line	H/L
8	DB1	Data Bus Line	H/L
9	DB2	Data Bus Line	H/L
10	DB3	Data Bus Line	H/L
11	DB4	Data Bus Line	H/L
12	DB5	Data Bus Line	H/L
13	DB6	Data Bus Line	H/L
14	DB7	Data Bus Line	H/L
15	NC	No Connection	
16	NC	No Connection	



Address Format	DB7	DB6	DB5	DB4	DB3	DB2	DB1	DB0
CA (Character Address)	1	ADD6	ADD5	ADD4	ADD3	ADD2	ADD1	ADD0

1	2	3	4	5	6	7	8
CA=10000000b	CA=10000001b	CA=10000010b	CA=10000011b	CA=10000100b	CA=10000101b	CA=10000110b	CA=10000111b
CA=11000000b	CA=11000001b	CA=11000010b	CA=11000011b	CA=11000100b	CA=11000101b	CA=11000110b	CA=11000111b

MCOB20805AV-EGP	2 x 8	Euro/Jap/Cyrillic	OLED Module
Specification			
Version: 1		Date: 16/05/2017	
Revision			

Font Map

Upper 4bit Lower 4bit	LLLL	LLLH	LLHL	LLHH	LHLL	LHLH	LHHL	LHHH	HLLL	HLLH	HLHL	HLHH	HHLL	HHLH	HHHL	HHHH
LLLL	CG RAM (1)															
LLLH	(2)															
LLHL	(3)															
LLHH	(4)															
LHLL	(5)															
LHLH	(6)															
LHHL	(7)															
LHHH	(8)															
HLLL	(1)															
HLLH	(2)															
HLHL	(3)															
HLHH	(4)															
HHLL	(5)															
HHLH	(6)															
HHHL	(7)															
HHHH	(8)															

MCOB20805AV-EGP	2 x 8	Euro/Jap/Cyrillic	OLED Module
Specification			
Version: 1		Date: 16/05/2017	
Revision			

Upper 4bit Lower 4bit	LLLL	LLLH	LLHL	LLHH	LHLL	LHLH	LHHL	LHHH	HLLL	HLLH	HLHL	HLHH	HHLL	HHLH	HHHL	HHHH
LLLL	CG RAM (1)															
LLLH	(2)															
LLHL	(3)															
LLHH	(4)															
LHLL	(5)															
LHLH	(6)															
LHHL	(7)															
LHHH	(8)															
HLLL	(1)															
HLLH	(2)															
HLHL	(3)															
HLHH	(4)															
HHLL	(5)															
HHLH	(6)															
HHHL	(7)															
HHHH	(8)															

MCOB20805AV-EGP	2 x 8	Euro/Jap/Cyrillic	OLED Module
Specification			
Version: 1		Date: 16/05/2017	
Revision			

Upper 4bit Lower 4bit	LLLL	LLHH	LLHL	LLHH	LHLL	LHLH	LHHL	LHHH	HLLL	HLLH	HLHL	HLHH	HHLL	HHLH	HHHL	HHHH
LLLL	CG RAM (1)															
LLLH	(2)															
LLHL	(3)															
LLHH	(4)															
LHLL	(5)															
LHLH	(6)															
LHHL	(7)															
LHHH	(8)															
HLLL	(1)															
HLLH	(2)															
HLHL	(3)															
HLHH	(4)															
HHLL	(5)															
HHLH	(6)															
HHHL	(7)															
HHHH	(8)															

MCOB20805AV-EGP	2 x 8	Euro/Jap/Cyrillic	OLED Module
Specification			
Version: 1		Date: 16/05/2017	
Revision			

Absolute Maximums Ratings					
Item	Symbol	Minimum	Typical	Maximum	Unit
Supply Voltage for Logic	V ₀	-0.30	---	5.30	V
Operating Temperature	V _{opr}	-40	---	80	°C
Storage Temperature	V _{stg}	-40	---	80	°C

Electronic Characteristics						
Item	Symbol	Condition	Minimum	Typical	Maximum	Unit
Input High Voltage	V _{IH}	---	0.80	---	V _{DD}	V
Input Low Voltage	V _{IL}	---	GND	---	0.20	V
Output High Voltage	V _{OH}	I _{OH} =-0.5mA	0.80	---	V _{DD}	V
Output Low Voltage	V _{OL}	I _{OL} =0.5mA	GND	---	0.20	V
Supply Voltage for Logic	V _{DD} -V _{SS}	---	4.80	5.00	5.30	V
50% Checkboard Operating Current.	I _{DD}	V _{DD} =5V	16	18	22	mA

OLED Characteristics						
Item	Symbol	Condition	Minimum	Typical	Maximum	Unit
Viewing Angle	(V)θ	---	160	---	---	Deg
	(H)φ	---	160	---	---	Deg
Contrast Ratio	CR	Dark	2000:1	---	---	---
Response Time	T Rise	---	---	10	---	μs
	T Fall	---	---	10	---	μs
Display with 50% Checkboard Brightness			100	120	---	cd/m ²
CIEx(Green)		(CIE1931)	0.24	0.28	0.32	---
CIEy(Green)		(CIE1931)	0.59	0.63	0.67	---

OLED Life Time			
Item	Conditions	Typical	Remark
Operating Life Time	T _a =25°C. Initial checkboard brightness, 50%.	100,000 Hours	---

MCOB20805AV-EGP	2 x 8	Euro/Jap/Cyrillic	OLED Module
Specification			
Version: 1		Date: 16/05/2017	
Revision			