

THERMODATA COMPONENTS

BARRIER STRIPS Srs TC 44 18

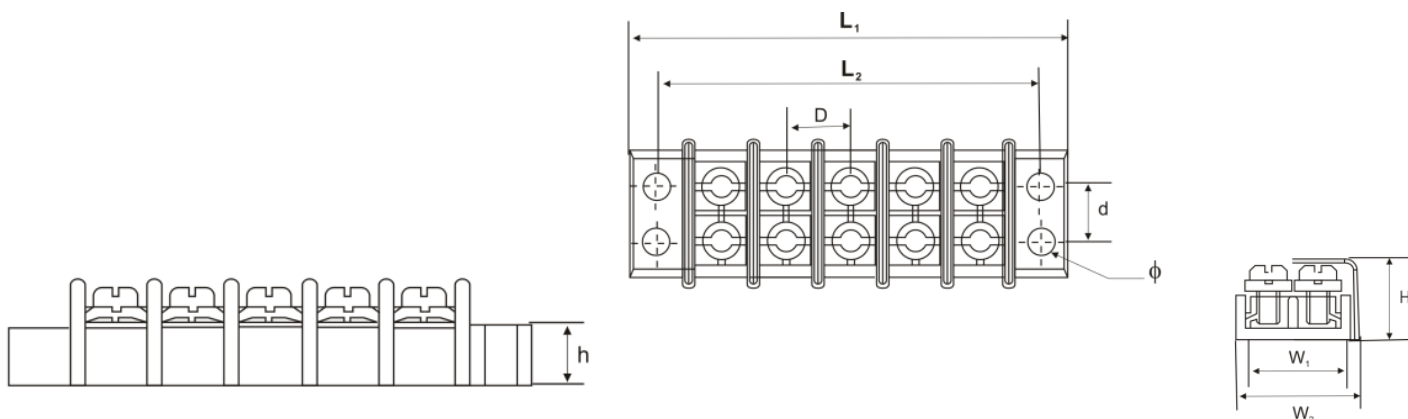
Terminal Barrier Strip 9.5mm pitch

SPECIFICATION

HOUSING:	POLYAMIDE PA 66 UL94 V0
SCREWS:	M3.5, STEEL NICKEL PLATED
TERMINALS:	BRASS, NI PLATED
TEMPERATURE RANGE:	-40 °C to + 105 °C
STANDARD:	CE (BS EN 60998)
WITHSTANDING VOLTAGE	AC 2000V / 1 MIN
INSULATION RESISTANCE:	500MΩ / DC 100V
MAX. TORQUE VALUE:	0.8Nm
No OF WAYS:	2 - 12



TERMINALS: RISING CLAMP CROSS HEAD



VARIANT	WIRE RANGE	RATED CURRENT	RATED VOLTAGE	DIMENSIONS (mm)								
				L ₁	L ₂	W ₁	W ₂	D	d	H	h	φ
TC 44 18 02	21-12AWG	20A	750V	36	28.5	18.5	21.6	9.5	8.0	13.0	7.0	4.0
TC 44 18 03	21-12AWG	20A	750V	45.5	38	18.5	21.6	9.5	8.0	13.0	7.0	4.0
TC 44 18 04	21-12AWG	20A	750V	55	47.5	18.5	21.6	9.5	8.0	13.0	7.0	4.0
TC 44 18 05	21-12AWG	20A	750V	64.5	57	18.5	21.6	9.5	8.0	13.0	7.0	4.0
TC 44 18 06	21-12AWG	20A	750V	74	66.5	18.5	21.6	9.5	8.0	13.0	7.0	4.0
TC 44 18 07	21-12AWG	20A	750V	83.5	76	18.5	21.6	9.5	8.0	13.0	7.0	4.0
TC 44 18 08	21-12AWG	20A	750V	93	85.5	18.5	21.6	9.5	8.0	13.0	7.0	4.0
TC 44 18 09	21-12AWG	20A	750V	102.5	95	18.5	21.6	9.5	8.0	13.0	7.0	4.0
TC 44 18 10	21-12AWG	20A	750V	112	104.5	18.5	21.6	9.5	8.0	13.0	7.0	4.0
TC 44 18 11	21-12AWG	20A	750V	121.5	114	18.5	21.6	9.5	8.0	13.0	7.0	4.0
TC 44 18 12	21-12AWG	20A	750V	131	123.5	18.5	21.6	9.5	8.0	13.0	7.0	4.0