

# THERMODATA COMPONENTS

## BARRIER STRIPS Srs TC 44 18

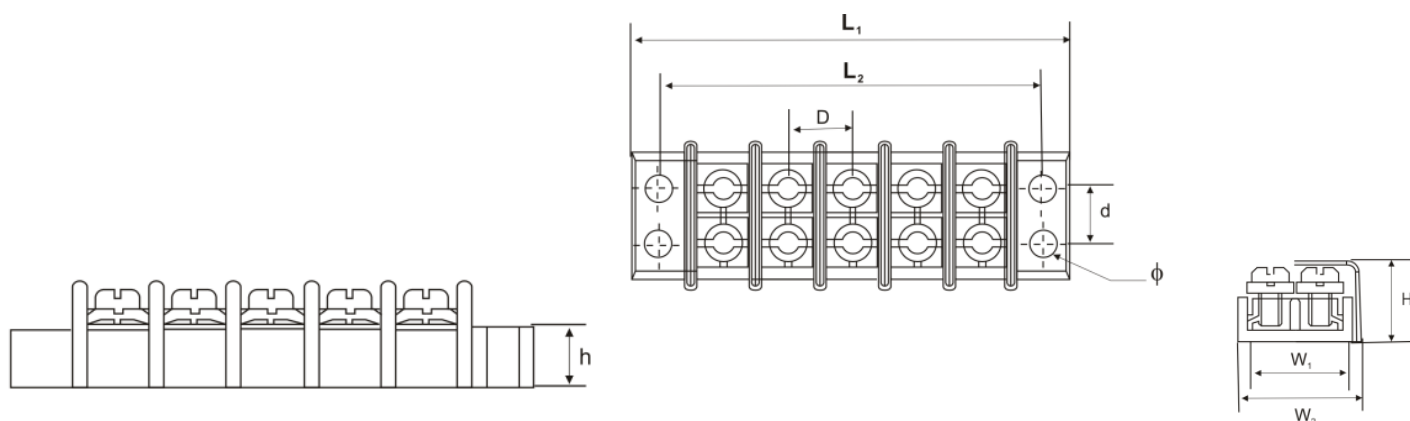
### Terminal Barrier Strip 9.5mm pitch

#### SPECIFICATION

<b>HOUSING:</b>	POLYAMIDE PA 66 UL94 V0
<b>SCREWS:</b>	M3.5, STEEL NICKEL PLATED
<b>TERMINALS:</b>	BRASS, NI PLATED
<b>TEMPERATURE RANGE:</b>	-40 °C to + 105 °C
<b>STANDARD:</b>	CE (BS EN 60998)
<b>WITHSTANDING VOLTAGE</b>	AC 2000V / 1 MIN
<b>INSULATION RESISTANCE:</b>	500MΩ / DC 100V
<b>MAX. TORQUE VALUE:</b>	0.8Nm
<b>No OF WAYS:</b>	2 - 12



#### TERMINALS: RISING CLAMP CROSS HEAD



VARIANT	WIRE RANGE	RATED CURRENT	RATED VOLTAGE	DIMENSIONS (mm)								
				L <sub>1</sub>	L <sub>2</sub>	W <sub>1</sub>	W <sub>2</sub>	D	d	H	h	φ
TC 44 18 02	21-12AWG	20A	750V	36	28.5	18.5	21.6	9.5	8.0	13.0	7.0	4.0
TC 44 18 03	21-12AWG	20A	750V	45.5	38	18.5	21.6	9.5	8.0	13.0	7.0	4.0
TC 44 18 04	21-12AWG	20A	750V	55	47.5	18.5	21.6	9.5	8.0	13.0	7.0	4.0
TC 44 18 05	21-12AWG	20A	750V	64.5	57	18.5	21.6	9.5	8.0	13.0	7.0	4.0
TC 44 18 06	21-12AWG	20A	750V	74	66.5	18.5	21.6	9.5	8.0	13.0	7.0	4.0
TC 44 18 07	21-12AWG	20A	750V	83.5	76	18.5	21.6	9.5	8.0	13.0	7.0	4.0
TC 44 18 08	21-12AWG	20A	750V	93	85.5	18.5	21.6	9.5	8.0	13.0	7.0	4.0
<b>TC 44 18 09</b>	<b>21-12AWG</b>	<b>20A</b>	<b>750V</b>	<b>102.5</b>	<b>95</b>	<b>18.5</b>	<b>21.6</b>	<b>9.5</b>	<b>8.0</b>	<b>13.0</b>	<b>7.0</b>	<b>4.0</b>
TC 44 18 10	21-12AWG	20A	750V	112	104.5	18.5	21.6	9.5	8.0	13.0	7.0	4.0
TC 44 18 11	21-12AWG	20A	750V	121.5	114	18.5	21.6	9.5	8.0	13.0	7.0	4.0
TC 44 18 12	21-12AWG	20A	750V	131	123.5	18.5	21.6	9.5	8.0	13.0	7.0	4.0