

# THERMODATA COMPONENTS

## BARRIER STRIPS Srs TC 44 25C

Terminal Barrier Strip 9.5 mm pitch with cover

### SPECIFICATIONS

**HOUSING:** POLYAMIDE (PA 66, UL94 V0)

**SCREWS:** M3.5, STEEL NICKEL PLATED

**TERMINALS :** BRASS, TIN PLATED

**TEMPERATURE RANGE:** -40 °C to + 105 °C

**STANDARD:** CE (BS EN 60998)

**WITHSTANDING VOLTAGE** AC 2000V / 1 MIN

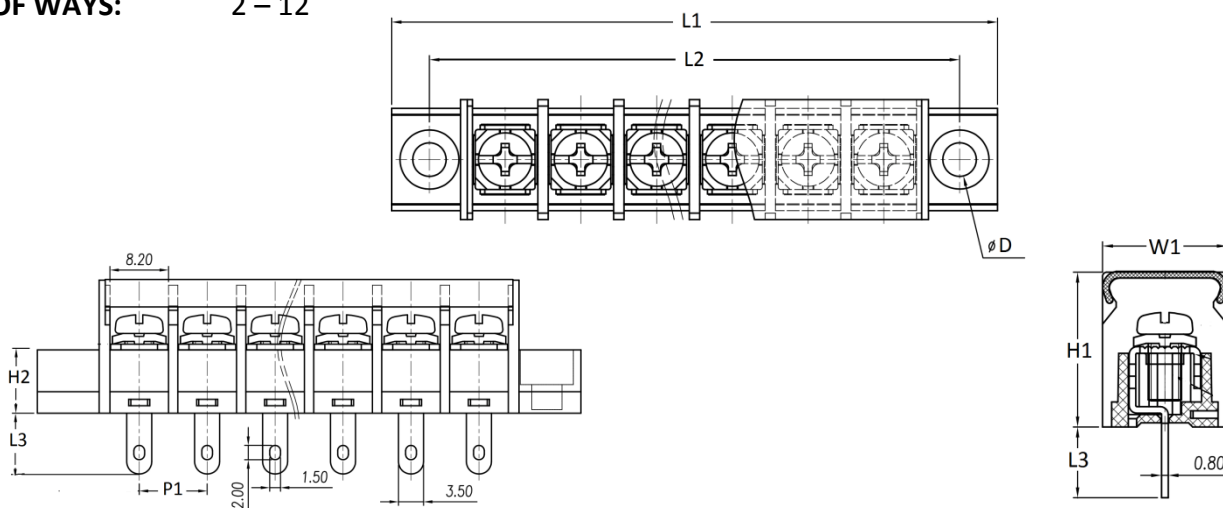
**INSULATION RESISTANCE:** 500MΩ / DC 500V

**MAX. TORQUE** 1.2Nm



**No OF WAYS:** 2 – 12

**TERMINALS: RISING CLAMP CROSS HEAD**



VARIANT	WIRE RANGE	RATED CURRENT	RATED VOLTAGE	DIMENSIONS (mm)								
				L <sub>1</sub>	L <sub>2</sub>	L <sub>3</sub>	H <sub>1</sub>	H <sub>2</sub>	W <sub>1</sub>	P <sub>1</sub>	D	
TC 44 25C 02	21-12AWG	20A	750V	38	28.5	8.5	18.6	9.8	15.0	9.5	4.0	
TC 44 25C 03	21-12AWG	20A	750V	47.5	38	8.5	18.6	9.8	15.0	9.5	4.0	
TC 44 25C 04	21-12AWG	20A	750V	57	47.5	8.5	18.6	9.8	15.0	9.5	4.0	
TC 44 25C 05	21-12AWG	20A	750V	66.5	57	8.5	18.6	9.8	15.0	9.5	4.0	
TC 44 25C 06	21-12AWG	20A	750V	76	66.5	8.5	18.6	9.8	15.0	9.5	4.0	
TC 44 25C 07	21-12AWG	20A	750V	85.5	76	8.5	18.6	9.8	15.0	9.5	4.0	
<b>TC 44 25C 08</b>	<b>21-12AWG</b>	<b>20A</b>	<b>750V</b>	<b>95</b>	<b>85.5</b>	<b>8.5</b>	<b>18.6</b>	<b>9.8</b>	<b>15.0</b>	<b>9.5</b>	<b>4.0</b>	
TC 44 25C 09	21-12AWG	20A	750V	104.5	95	8.5	18.6	9.8	15.0	9.5	4.0	
TC 44 25C 10	21-12AWG	20A	750V	114	104.5	8.5	18.6	9.8	15.0	9.5	4.0	
TC 44 25C 11	21-12AWG	20A	750V	123.5	114	8.5	18.6	9.8	15.0	9.5	4.0	
TC 44 25C 12	21-12AWG	20A	750V	133	123.5	8.5	18.6	9.8	15.0	9.5	4.2	