

THERMODATA COMPONENTS

BARRIER STRIPS Srs TC 44 25C

Terminal Barrier Strip 9.5 mm pitch with cover

SPECIFICATIONS

HOUSING: POLYAMIDE (PA 66, UL94 V0)

SCREWS: M3.5, STEEL NICKEL PLATED

TERMINALS : BRASS, TIN PLATED

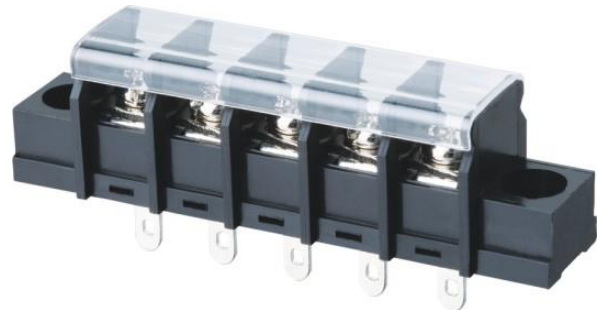
TEMPERATURE RANGE: -40 °C to + 105 °C

STANDARD: CE (BS EN 60998)

WITHSTANDING VOLTAGE AC 2000V / 1 MIN

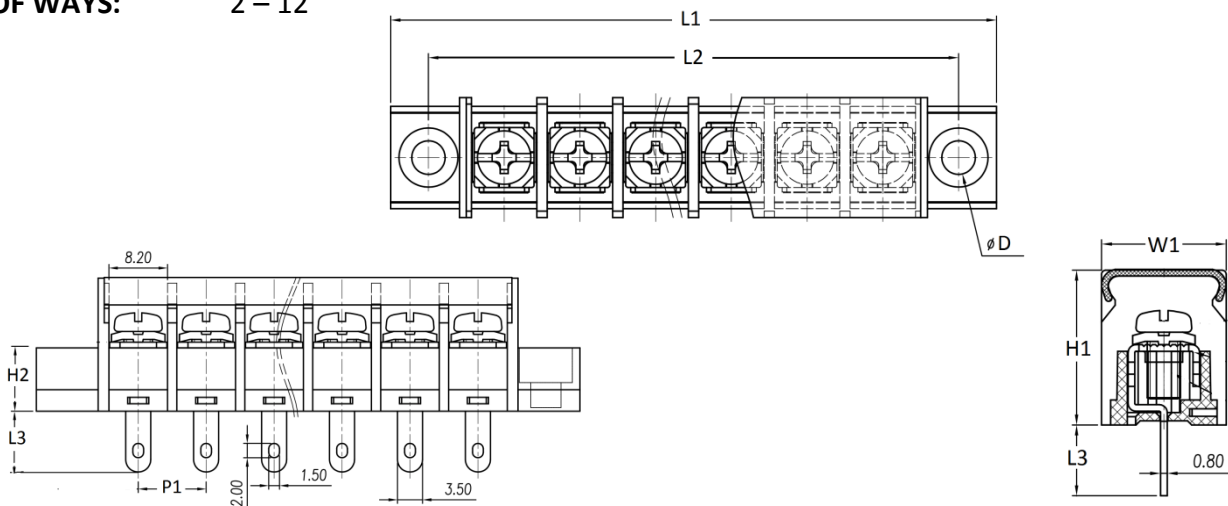
INSULATION RESISTANCE: 500MΩ / DC 500V

MAX. TORQUE 1.2Nm



No OF WAYS: 2 – 12

TERMINALS: RISING CLAMP CROSS HEAD



VARIANT	WIRE RANGE	RATED CURRENT	RATED VOLTAGE	DIMENSIONS (mm)								
				L ₁	L ₂	L ₃	H ₁	H ₂	W ₁	P ₁	D	
TC 44 25C 02	21-12AWG	20A	750V	38	28.5	8.5	18.6	9.8	15.0	9.5	4.0	
TC 44 25C 03	21-12AWG	20A	750V	47.5	38	8.5	18.6	9.8	15.0	9.5	4.0	
TC 44 25C 04	21-12AWG	20A	750V	57	47.5	8.5	18.6	9.8	15.0	9.5	4.0	
TC 44 25C 05	21-12AWG	20A	750V	66.5	57	8.5	18.6	9.8	15.0	9.5	4.0	
TC 44 25C 06	21-12AWG	20A	750V	76	66.5	8.5	18.6	9.8	15.0	9.5	4.0	
TC 44 25C 07	21-12AWG	20A	750V	85.5	76	8.5	18.6	9.8	15.0	9.5	4.0	
TC 44 25C 08	21-12AWG	20A	750V	95	85.5	8.5	18.6	9.8	15.0	9.5	4.0	
TC 44 25C 09	21-12AWG	20A	750V	104.5	95	8.5	18.6	9.8	15.0	9.5	4.0	
TC 44 25C 10	21-12AWG	20A	750V	114	104.5	8.5	18.6	9.8	15.0	9.5	4.0	
TC 44 25C 11	21-12AWG	20A	750V	123.5	114	8.5	18.6	9.8	15.0	9.5	4.0	
TC 44 25C 12	21-12AWG	20A	750V	133	123.5	8.5	18.6	9.8	15.0	9.5	4.2	