

**Push-Pull Connectors  
Female Cable Mount**

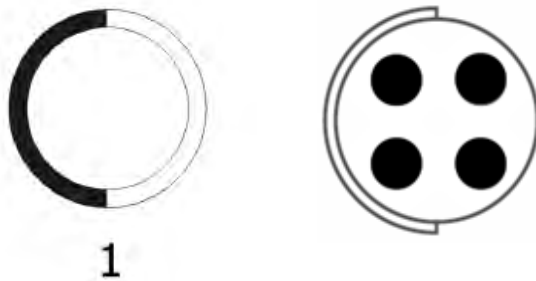
CCS Series

**Part Number: CCS1S1/04**  
**Pole: 4**

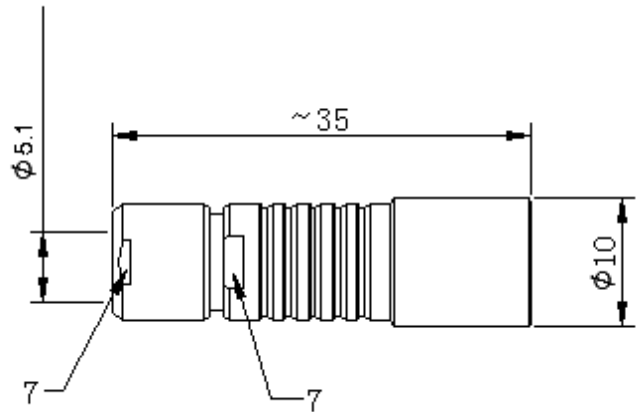
**Illustration**



**Insert Configuration**



**Size Drawing**



**Technical Data**

**Common Values**

Shell Style/Model: Free cable mount socket connector, female contact  
Codes: Code 1  
Contact Type: Solder type  
Contact Diameter: 0.7mm

**Material**

Housing Material: Brass (natural chrome plated) shell and collet nut, nickel plated brass latch sleeve and mid pieces  
Insulator: PPS  
Contacts: Brass (Gold plated)

**Electrical Values**

Max. Stranded Conductor AWG21-22  
Max Diameter: 0.79mm  
Vtest (contact-shell): 1200V(AC) 1700V(DC)  
Vtest (contact-contact): 1200V(AC) 1800V(DC)  
Rated Current: 5.5A  
Rated Voltage:  $\leq 200V$   
Mechanical Operation: 5000 mating cycles

**Others**

Humidity (max):  $\leq 95\%$  [at 60 deg C /140 F]  
Vibration: 15 g [10 Hz - 2000 Hz]  
Shock Resistance: 100 g [ 6 ms]  
Salt Spray Corrosion: >72 hr  
Climatical Category: 50/175/21  
Shielding (min): 75 dB (10 MHz)  
Shielding (min): 40 dB (1 GHz)  
IP Rating: 68