



Main

| | |
|-------------------------------|-----------------------------|
| Range of product | OsiSense XU |
| Series name | Application tertiary sector |
| Electronic sensor type | Photo-electric sensor |
| Product specific application | Buzzer signalling |
| Sensor name | XUJ |
| Sensor design | Compact |
| Material | Plastic |
| Detection system | Reflex |
| Emission | Infrared |
| [Sn] nominal sensing distance | 6 m with reflector Ø 80 mm |
| Wiring technique | 4-wire |
| Sale per indivisible quantity | 1 |

Complementary

| | |
|----------------------------|---|
| Enclosure material | PEI |
| Type of output signal | Discrete |
| Output type | Relay |
| Discrete output function | 1 NO |
| Output function governance | Dark |
| Electrical connection | Screw-clamp terminals, maximum : 1 x 1.5 mm ² |
| Cable entry | 1 entry for Pg 9 cable gland |
| Signalling function | Buzzer |
| Status LED | 1 LED (yellow) for output state |
| Supply circuit type | AC/DC |
| [Us] rated supply voltage | 24...240 V AC 24...48 V DC |
| Supply voltage limits | 20...264 V AC 20...60 V DC |
| Output voltage | <= 250 V AC <= 30 V DC |
| Switching capacity in mA | 0.5 A (cos φ = 0.4 for 0.5 million cycles at 1 operating cycle per second at 250 V) 2 A (cos φ = 1 for 1 million cycles at 1 operating cycle per second) |
| Switching frequency | <= 20 Hz |
| Power consumption in W | <= 2 W |
| Time delay range | 0.3...3 s |
| Delay first up | <= 60 ms |
| Delay response | <= 25 ms |
| Delay recovery | <= 25 ms |
| Electrical durability | 1000000 cycles, switching capacity: 2000 mA, cos f = 1, 60 cyc/mn at 250 V 500000 cycles, switching capacity: 500 mA, cos f = 0.4, 60 cyc/mn at 250 V |
| Depth | 69 mm |
| Height | 85 mm |
| Width | 28 mm |
| Product weight | 0.33 kg |

Environment

| | |
|---------------------------------------|---|
| Product certifications | CE |
| Ambient air temperature for operation | -25...55 °C |
| Ambient air temperature for storage | -40...70 °C |
| Vibration resistance | 7 gn, amplitude = +/- 1.5 mm (f = 10...55 Hz) conforming to IEC 60068-2-6 |
| Shock resistance | 30 gn (duration = 11 ms) conforming to IEC 60068-2-27 |
| IP degree of protection | IP40 double insulation conforming to IEC 60529 |

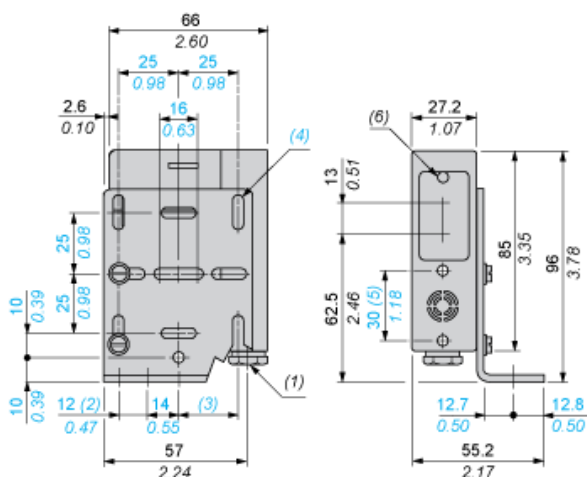
Offer Sustainability

| | |
|--------------------------|---|
| Sustainable offer status | Not Green Premium product |
| RoHS (date code: YYWW) | Compliant - since 1001 - Schneider Electric declaration of conformity |

Dimensions

Sensor Dimensions

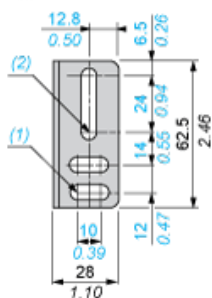
mm
in.



- (1) 9P cable gland
- (2) 2 elongated holes $\text{Ø } 6.5 \times 10$
- (3) 1 elongated hole $\text{Ø } 6.5 \times 24$
- (4) 8 elongated holes $\text{Ø } 4.2 \times 10$
- (5) Front fixing ($\text{Ø } 4$ screws and inserts included)
- (6) Yellow LED

Bracket Fixing

mm
in.

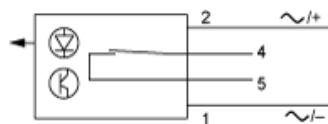


- (1) 2 elongated holes $\text{Ø } 6.5 \times 16.5$
- (2) 1 elongated hole $\text{Ø } 6.5 \times 30.5$

Wiring Schemes

NO Function

Object present



Terminal Connections

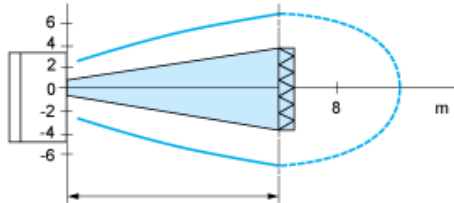
1 NO relay output

- 1 ⌀ - A1 (~/-)
- 2 ⌀ - A2 (~/+)
- 3 ⌀ -
- 4 ⌀ - ~ 250 V, 100 VA max.
- 5 ⌀ - ~ 250 V, 100 VA max.

Curves

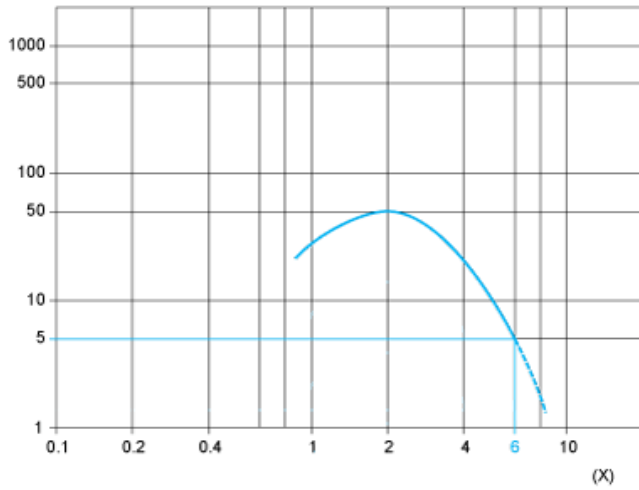
Detection Curve

Reflex System



Excess Gain Curves (Ambient Temperature: + 25° C)

Infrared reflex system with reflector XUJC80



(x) Distance (mm)