

# XUM0AKSAL2T

photo-electric sensor - XUM - emitter -  
12..24VDC - cable 2m



## Main

Range of product	OsiSense XU
Series name	General purpose multimode
Electronic sensor type	Photo-electric sensor transmitter
Sensor name	XUM
Sensor design	Miniature
Detection system	Thru beam
Material	Plastic
Supply circuit type	DC
Wiring technique	3-wire
Electrical connection	Cable
Cable length	2 m
Product specific application	-
Emission	Infrared thru beam
[Sn] nominal sensing distance	10 m thru beam need a receiver



## Complementary

Enclosure material	PBT
Lens material	PMMA
Maximum sensing distance	14 m thru beam
Add on input	Test by emission breaking
Wire insulation material	PvR
Status LED	1 LED (green) for supply on
[Us] rated supply voltage	12...24 V DC with reverse polarity protection
Supply voltage limits	10...36 V DC
Switching capacity in mA	<= 100 mA (overload and short-circuit protection)
Switching frequency	<= 250 Hz
Voltage drop	1.5 V (closed state)
Current consumption	20 mA (no-load)
Delay first up	< 100 ms
Delay response	< 2 ms
Delay recovery	< 2 ms
Setting-up	Self-teaching
Depth	20 mm
Height	34 mm
Width	12 mm
Product weight	0.05 kg

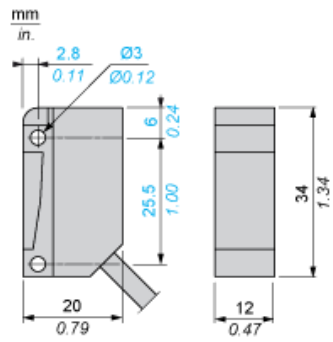
## Environment

Product certifications	CE CSA UL
Ambient air temperature for operation	-25...55 °C
Ambient air temperature for storage	-40...70 °C
Vibration resistance	7 gn, amplitude = +/- 1.5 mm (f = 10...55 Hz) conforming to IEC 60068-2-6
Shock resistance	30 gn (duration = 11 ms) conforming to IEC 60068-2-27
IP degree of protection	IP65 double insulation conforming to IEC 60529 IP67 double insulation conforming to IEC 60529

## Offer Sustainability

Sustainable offer status	Not Green Premium product
RoHS (date code: YYWW)	Compliant - since 0841 - <a href="#">Schneider Electric declaration of conformity</a>
Product environmental profile	Available  <a href="#">Download Product Environmental</a>
Product end of life instructions	Available  <a href="#">Download End Of Life Manual</a>

Dimensions

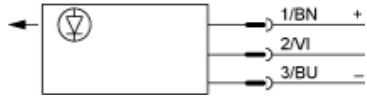


---

## Wiring Schemes

---

### Thru-beam Function Transmitter



BN : Brown  
BU : Blue  
VI : Violet

Input 2/VI:

- not connected: beam made
- connected to -: beam broken

---

Detection Curves

---

With Thru-beam Accessory (Thru-beam)

