

### ⚠ Important Safety Notice ⚠

It is the responsibility of the person installing the electrical equipment to ensure that the installation meets the requirements of the IET wiring regulations and is therefore 'fit for purpose'. Factors such as correct selection of components, cable sizing, protective devices and Earth bonding are all critical and should be checked prior to full testing and power-up. Any other regulations applicable to the equipment being installed such as the Machinery Directive and current health and safety legislation must also be adhered to. Terminals, including factory fitted, should be checked periodically to ensure correct tightness.



### Electrical ratings (According to IEC 60947-3)

AC Rated thermal current $I_{th}$ (40 °C)	63A
Rated insulation voltage $U_i$ (V)	690
Rated impulse withstand voltage $U_{imp}$ (kV)	8

<b>AC Rated operational current <math>I_e</math> (A)</b>		
Rated voltage	Utilization category	$I_e$
<b>415 VAC</b>	<b>AC22A</b>	<b>63</b>

#### Features

- Under load operation
- Earth terminal included
- Captive +/- terminal screws
- Padlockable in OFF position (up to 3 padlocks)
- Lid interlocked with switch in position 1 and 2
- IP65 rating in all the enclosures
- Manufactured to IEC60947-3

### Standards

IEC 60947-3

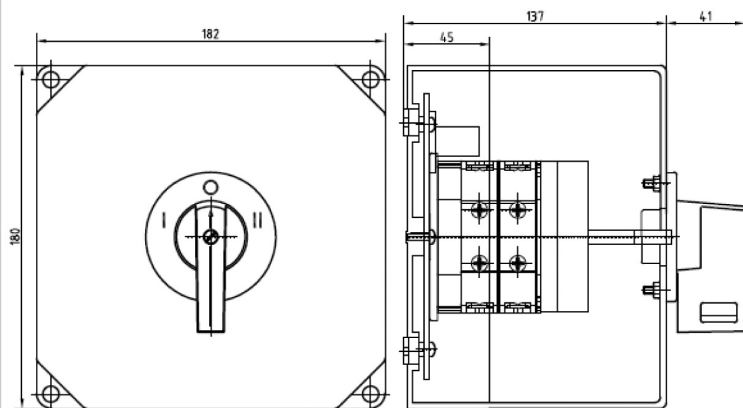
### Approvals



### Connection capacity

Rigid cable (Cu) (mm <sup>2</sup> )	16/25
Flexible cable (Cu) (mm <sup>2</sup> )	10/16

### DIMENSIONS (180x182x137)



### ELECTRICAL DRAWING

