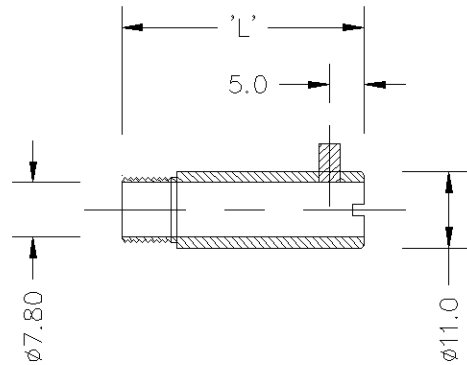


Thermocouple Bayonet Assemblies & Adaptors

Threaded bayonet adaptors in a choice of lengths to suit bayonet cap style thermocouples

Bayonet Adaptors:



- Threaded bayonet adaptors to suit bayonet cap style thermocouples
- 1/8" BSP parallel or M10 x 1mm thread
- Single pin
- 11mm diameter body (suits widely used 11.5mm inside diameter bayonet caps)
- 7.8mm bore through centre of adaptor
- Available in 35mm, 48mm & 64mm lengths
- Nickel plated brass finish

Thread Type	'L' Length	order code
1/8" BSP	35mm	XF-991-FAR
1/8" BSP	48mm	XF-992-FAR
1/8" BSP	64mm	XF-993-FAR
M10x1mm	35mm	XF-995-FAR

Bayonet Assembly & Adaptor:



Part	order code
Assembly	XF-990-FAR
Adaptor	XF-994-FAR

- Spring loaded bayonet assembly to suit 6.0mm dia. probe
- Grub screw type for securing to selected position on probe
- Matching 1/8" BSP parallel adaptor with 2 pins
- Adaptor has 15.9mm diameter body and is 22mm long overall
- 7.8mm bore through centre of adaptor
- Nickel plated brass finish