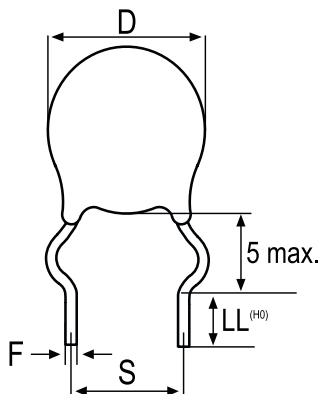


Ceramic, Safety, C900\_U, 1000 pF, 20%, Y5V, Lead Spacing = 10mm



**Dimensions**

D	7mm MAX
T	5.5mm MAX
S	10mm +/-1mm
LL	3.5mm +/-1mm
F	0.55mm +/-0.1mm

**Packaging Specifications**

Packaging:	Bulk
Packaging Quantity:	500

**General Information**

Style:	Radial Disc
Series:	C900_U
RoHS:	Yes
Termination:	Tin
Failure Rate:	N/A
Safety Class:	X1/Y1
Approvals:	UL, ENEC, CSA
Halogen Free:	Yes

**Specifications**

Capacitance:	1000 pF
Capacitance Tolerance:	20%
Voltage:	400 VAC (X), 250 VAC (Y)
Dielectric Withstanding Voltage:	4,000 V
Temperature Range:	-25/+125C
Temperature Coefficient:	Y5V
Dissipation Factor:	5%
Insulation Resistance:	10 GOhms