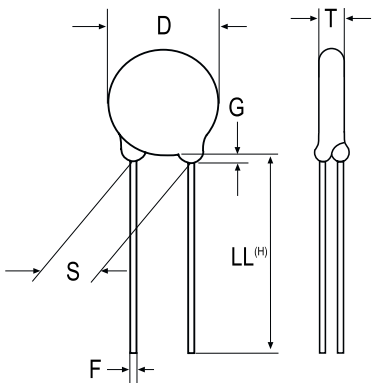


Ceramic, Safety, C900_V, 75 pF, 5%, SL, Lead Spacing = 10mm



General Information	
Style:	Radial Disc
Series:	C900_V
RoHS:	Yes
Termination:	Tin
Failure Rate:	N/A
Safety Class:	X1/Y1
Approvals:	UL, ENEC, CSA
Halogen Free:	Yes

Dimensions	
D	9mm MAX
T	5mm MAX
S	10mm +/-1mm
LL	4.5mm +/-1mm
F	0.55mm +/-0.1mm
G	3mm MAX

Specifications	
Capacitance:	75 pF
Capacitance Tolerance:	5%
Voltage:	400 VAC (X), 400 VAC (Y)
Dielectric Withstanding Voltage:	4,000 V
Temperature Range:	-25/+125C
Temperature Coefficient:	SL
Insulation Resistance:	10 GOhms
Quality Factor:	1000

Packaging Specifications	
Packaging:	Bulk
Packaging Quantity:	500

Statements of suitability for certain applications are based on our knowledge of typical operating conditions for such applications, but are not intended to constitute - and we specifically disclaim - any warranty concerning suitability for a specific customer application or use. This Information is intended for use only by customers who have the requisite experience and capability to determine the correct products for their application. Any technical advice inferred from this Information or otherwise provided by us with reference to the use of our products is given gratis, and we assume no obligation or liability for the advice given or results obtained.