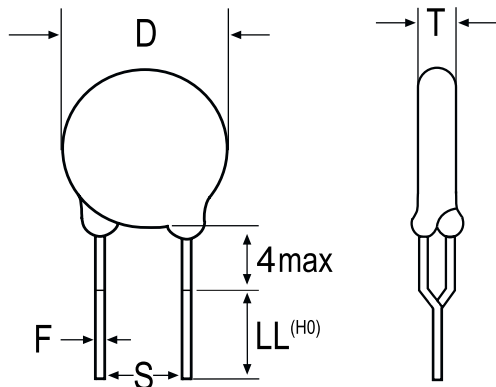


Ceramic, Safety, C900_Z, 4700 pF, 20%, Y5V, Lead Spacing = 7.5mm



Dimensions

D	11mm MAX
T	5mm MAX
S	7.5mm +/-1mm
LL	18mm +2/-0mm
F	0.55mm +/-0.1mm

Packaging Specifications

Packaging:	Ammo, H0 = 18mm, Component Pitch = 15mm
Packaging Quantity:	1000

General Information

Style:	Radial Disc
Series:	C900_Z
RoHS:	Yes
Termination:	Tin
Failure Rate:	N/A
Safety Class:	X1/Y2
Approvals:	UL, ENEC, CSA
Halogen Free:	Yes

Specifications

Capacitance:	4700 pF
Capacitance Tolerance:	20%
Voltage:	440 VAC (X), 300 VAC (Y)
Dielectric Withstanding Voltage:	2,600 V
Temperature Range:	-40/+125C
Temperature Coefficient:	Y5V
Dissipation Factor:	5%
Insulation Resistance:	10 GOhms