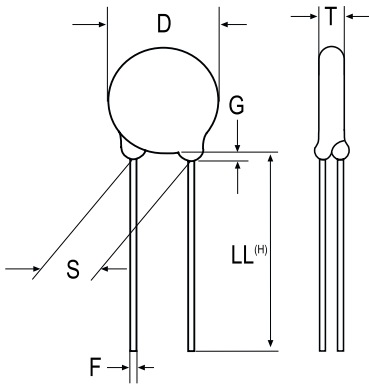


Ceramic, Safety, C900_W, 2200 pF, 20%, Y5U, Lead Spacing = 10mm



General Information	
Style:	Radial Disc
Series:	C900_W
RoHS:	Yes
Termination:	Tin
Failure Rate:	N/A
Safety Class:	X1/Y1
Approvals:	UL, ENEC, CSA
Halogen Free:	Yes

Dimensions	
D	13mm MAX
T	7mm MAX
S	10mm +/-1mm
LL	20mm MIN
F	0.55mm +/-0.1mm
G	3mm MAX

Specifications	
Capacitance:	2200 pF
Capacitance Tolerance:	20%
Voltage:	760 VAC (X), 500 VAC (Y)
Dielectric Withstanding Voltage:	4,000 V
Temperature Range:	-25/+125C
Temperature Coefficient:	Y5U
Dissipation Factor:	2.5%
Insulation Resistance:	10 GOhms

Packaging Specifications	
Packaging:	Bulk
Packaging Quantity:	500

Statements of suitability for certain applications are based on our knowledge of typical operating conditions for such applications, but are not intended to constitute - and we specifically disclaim - any warranty concerning suitability for a specific customer application or use. This Information is intended for use only by customers who have the requisite experience and capability to determine the correct products for their application. Any technical advice inferred from this Information or otherwise provided by us with reference to the use of our products is given gratis, and we assume no obligation or liability for the advice given or results obtained.