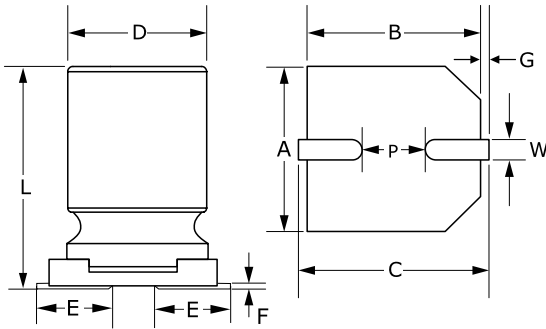


Polymer Aluminum, 105C LowZ, A767, 33 uF, 20%, 50 V, -55/+105C



**Dimensions**

<b>D</b>	8mm +/-0.5mm
<b>L</b>	9.7mm +/-0.3mm
<b>W</b>	0.8 - 1.1mm
<b>F</b>	0.2mm MAX
<b>A</b>	8.3mm +/-0.2mm
<b>B</b>	8.3mm +/-0.2mm
<b>C</b>	9mm +/-0.2mm
<b>E</b>	2.9mm +/-0.2mm
<b>G</b>	0.35mm +/-0.2mm
<b>P</b>	3.2mm +/-0.2mm

**Packaging Specifications**

<b>Packaging:</b>	T&R, 380mm
<b>Packaging Quantity:</b>	500

**General Information**

<b>Dielectric:</b>	Polymer Aluminum
<b>Style:</b>	SMD Can
<b>Series:</b>	A767
<b>Description:</b>	Surface Mount, Polymer Aluminum
<b>RoHS:</b>	Yes
<b>Lead:</b>	V-Chip

**Specifications**

<b>Capacitance:</b>	33 uF
<b>Capacitance Tolerance:</b>	20%
<b>Voltage DC:</b>	50 VDC, 57.5 VDC (Surge)
<b>Temperature Range:</b>	-55/+105C
<b>Rated Temperature:</b>	105C
<b>Life:</b>	2000 Hrs
<b>Resistance:</b>	45 mOhms (100kHz 20C)
<b>Current:</b>	1800 mAmps (100kHz 105C)
<b>Leakage Current:</b>	330 uA (2min 20C)
<b>Impedance Ratio at -25C:</b>	1.25
<b>Impedance Ratio at -55C:</b>	1.25
<b>High Temperature Solder:</b>	No