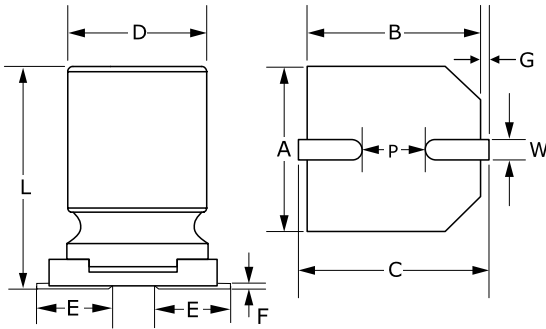


Polymer Aluminum, 105C LowZ, A767, 47 uF, 20%, 50 V, -55/+105C



**Dimensions**

<b>D</b>	8mm +/-0.5mm
<b>L</b>	9.7mm +/-0.3mm
<b>W</b>	0.8 - 1.1mm
<b>F</b>	0.2mm MAX
<b>A</b>	8.3mm +/-0.2mm
<b>B</b>	8.3mm +/-0.2mm
<b>C</b>	9mm +/-0.2mm
<b>E</b>	2.9mm +/-0.2mm
<b>G</b>	0.35mm +/-0.2mm
<b>P</b>	3.2mm +/-0.2mm

**Packaging Specifications**

<b>Packaging:</b>	T&R, 380mm
<b>Packaging Quantity:</b>	500

**General Information**

<b>Dielectric:</b>	Polymer Aluminum
<b>Style:</b>	SMD Can
<b>Series:</b>	A767
<b>Description:</b>	Surface Mount, Polymer Aluminum
<b>RoHS:</b>	Yes
<b>Lead:</b>	V-Chip

**Specifications**

<b>Capacitance:</b>	47 uF
<b>Capacitance Tolerance:</b>	20%
<b>Voltage DC:</b>	50 VDC, 57.5 VDC (Surge)
<b>Temperature Range:</b>	-55/+105C
<b>Rated Temperature:</b>	105C
<b>Life:</b>	2000 Hrs
<b>Resistance:</b>	29 mOhms (100kHz 20C)
<b>Current:</b>	3300 mAmps (100kHz 105C)
<b>Leakage Current:</b>	470 uA (2min 20C)
<b>Impedance Ratio at -25C:</b>	1.25
<b>Impedance Ratio at -55C:</b>	1.25
<b>High Temperature Solder:</b>	No

Statements of suitability for certain applications are based on our knowledge of typical operating conditions for such applications, but are not intended to constitute - and we specifically disclaim - any warranty concerning suitability for a specific customer application or use. This Information is intended for use only by customers who have the requisite experience and capability to determine the correct products for their application. Any technical advice inferred from this Information or otherwise provided by us with reference to the use of our products is given gratis, and we assume no obligation or liability for the advice given or results obtained.