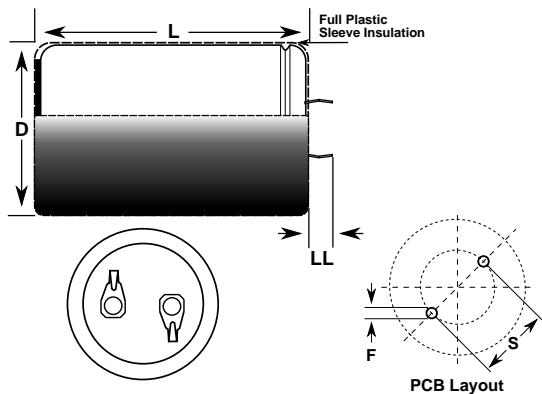


Aluminum Electrolytic, 105C, ELG, 100 uF, 20%, 400 V, -25/+105C



**Dimensions**

D	22mm +/-1mm
L	35mm +/-2mm
S	10mm +/-0.5mm
LL	5.8mm +/-1mm
F	2mm +/-0.1mm

**Packaging Specifications**

Packaging:	Bulk
------------	------

**General Information**

Dielectric:	Aluminum Electrolytic
Series:	ELG
Description:	Snap-In, Aluminum Electrolytic
RoHS:	Yes
Lead:	2 Pin

**Specifications**

Capacitance:	100 uF
Capacitance Tolerance:	20%
Voltage DC:	400 VDC, 450 VDC (Surge)
Temperature Range:	-25/+105C
Rated Temperature:	105C
Life:	2000 Hrs
Dissipation Factor:	15% 120Hz 20C
Resistance:	582 mOhms (20kHz)
Current:	650 mAmps (120Hz)
Leakage Current:	800 uAmps (5min 20C)