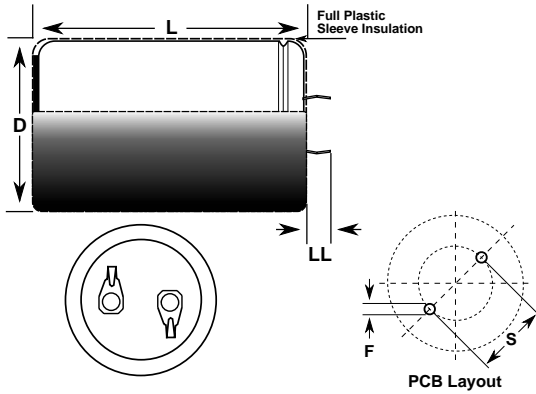


Aluminum Electrolytic, 105C, ELG, 390 uF, 20%, 450 V, -25/+105C



#### Dimensions

| Dimension | Value         |
|-----------|---------------|
| D         | 35mm +/-1mm   |
| L         | 45mm +/-2mm   |
| S         | 10mm +/-0.5mm |
| LL        | 5.8mm +/-1mm  |
| F         | 2mm +/-0.1mm  |

#### Packaging Specifications

|            |      |
|------------|------|
| Packaging: | Bulk |
|------------|------|

#### General Information

|              |                                |
|--------------|--------------------------------|
| Dielectric:  | Aluminum Electrolytic          |
| Series:      | ELG                            |
| Description: | Snap-In, Aluminum Electrolytic |
| RoHS:        | Yes                            |
| Lead:        | 2 Pin                          |

#### Specifications

|                        |                          |
|------------------------|--------------------------|
| Capacitance:           | 390 uF                   |
| Capacitance Tolerance: | 20%                      |
| Voltage DC:            | 450 VDC, 500 VDC (Surge) |
| Temperature Range:     | -25/+105C                |
| Rated Temperature:     | 105C                     |
| Life:                  | 2000 Hrs                 |
| Dissipation Factor:    | 20% 120Hz 20C            |
| Resistance:            | 180 mOhms (20kHz)        |
| Current:               | 1550 mAmps (120Hz)       |
| Leakage Current:       | 3000 uAmps (5min 20C)    |