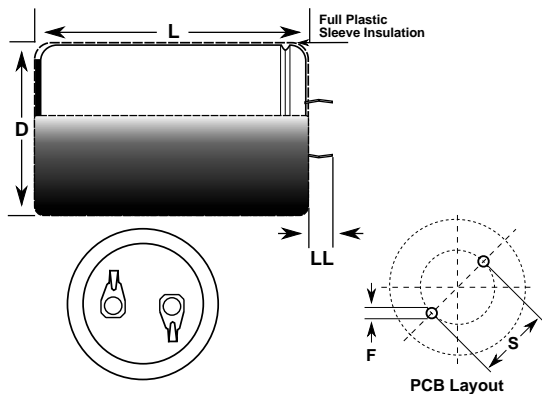


Aluminum Electrolytic, 85C, ELH, 0.01 F, 20%, 16 V, -40/+85C



Dimensions

D	22mm +/-1mm
L	30mm +/-2mm
S	10mm +/-0.5mm
LL	5.8mm +/-1mm
F	2mm +/-0.1mm

Packaging Specifications

Packaging:	Bulk
Packaging Quantity:	400

General Information

Dielectric:	Aluminum Electrolytic
Series:	ELH
Description:	Snap-In, Aluminum Electrolytic
RoHS:	Yes
Lead:	2 Pin

Specifications

Capacitance:	0.01 F
Capacitance Tolerance:	20%
Voltage DC:	16 VDC, 20 VDC (Surge)
Temperature Range:	-40/+85C
Rated Temperature:	85C
Life:	2000 Hrs
Dissipation Factor:	55%
Current:	2700 mAmps (120Hz)
Leakage Current:	3000 uAmps (5min 20C)