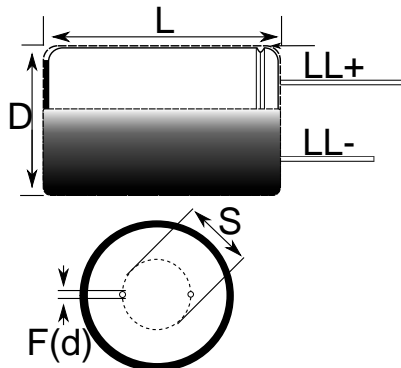


Aluminum Electrolytic, 105C, ESH, 220 uF, 20%, 200 V, -25/+105C, Lead Spacing = 7.5mm



Note: '()' correspond to the letters used in the product bulletin

Dimensions	
D	16mm +/-0.5mm
L	36mm +2.0/-0mm
S	7.5mm +/-0.5mm
LL Negative	15mm MIN
LL Positive	20mm MIN
F	0.8mm NOM

Packaging Specifications	
Packaging:	Bulk, Bag
Packaging Quantity:	600

General Information	
Dielectric:	Aluminum Electrolytic
Series:	ESH
Description:	Single Ended Aluminum Electrolytic
RoHS:	Yes
Lead:	Wire Leads

Specifications	
Capacitance:	220 uF
Capacitance Tolerance:	20%
Voltage DC:	200 VDC, 250 VDC (Surge)
Temperature Range:	-25/+105C
Rated Temperature:	105C
Life:	2000 Hrs
Dissipation Factor:	15% 120Hz 25C
Current:	675 mAmps (120Hz 105C)
Leakage Current:	1330 uA (2min 20C)
Impedance Ratio at -25C:	4