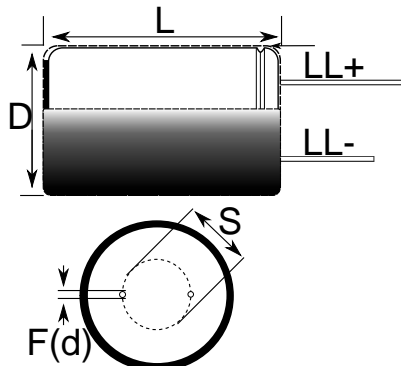


Aluminum Electrolytic, 105C, ESH, 68 uF, 20%, 400 V, -25/+105C, Lead Spacing = 7.5mm



Note: (d) correspond to the letters used in the product bulletin

Dimensions	
D	18mm +/-0.5mm
L	36mm +2mm
S	7.5mm +/-0.5mm
LL Negative	15mm MIN
LL Positive	20mm MIN
F	0.8mm NOM

Packaging Specifications	
Packaging:	Bulk, Bag
Packaging Quantity:	500

General Information	
Dielectric:	Aluminum Electrolytic
Series:	ESH
Description:	High CV Single Ended Aluminum Electrolytic
Features:	High CV
RoHS:	Yes
Lead:	Wire Leads

Specifications	
Capacitance:	68 uF
Capacitance Tolerance:	20%
Voltage DC:	400 VDC, 450 VDC (Surge)
Temperature Range:	-25/+105C
Rated Temperature:	105C
Life:	2000 Hrs
Dissipation Factor:	20%
Current:	325 mAmps (120Hz 105C)
Leakage Current:	826 uA (2min 20C)
Impedance Ratio at -25C:	4