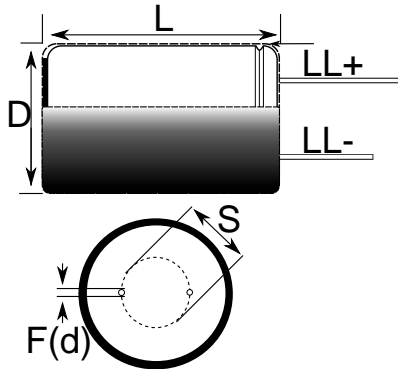


Aluminum Electrolytic, 85C, ESK, 10 uF, 20%, 50 V, -40/+85C, Lead Spacing = 2mm



Note: '()' correspond to the letters used in the product bulletin

| Dimensions  |              |
|-------------|--------------|
| D           | 5mm +/-0.5mm |
| L           | 11mm +1.5mm  |
| S           | 2mm +/-0.5mm |
| LL Negative | 15mm MIN     |
| LL Positive | 20mm MIN     |
| F           | 0.5mm NOM    |

| Packaging Specifications |           |
|--------------------------|-----------|
| Packaging:               | Bulk, Bag |
| Packaging Quantity:      | 10000     |

| General Information |                                     |
|---------------------|-------------------------------------|
| Dielectric:         | Aluminum Electrolytic               |
| Series:             | ESK                                 |
| Description:        | Single Ended, Aluminum Electrolytic |
| RoHS:               | Yes                                 |
| Lead:               | Wire Leads                          |

| Specifications           |                        |
|--------------------------|------------------------|
| Capacitance:             | 10 uF                  |
| Capacitance Tolerance:   | 20%                    |
| Voltage DC:              | 50 VDC, 63 VDC (Surge) |
| Temperature Range:       | -40/+85C               |
| Rated Temperature:       | 85C                    |
| Life:                    | 2000 Hrs               |
| Dissipation Factor:      | 10% 120Hz 20C          |
| Current:                 | 65 mAmps (120Hz 85C)   |
| Leakage Current:         | 5 uA (2min 20C)        |
| Impedance Ratio at -25C: | 3                      |
| Impedance Ratio at -40C: | 3                      |