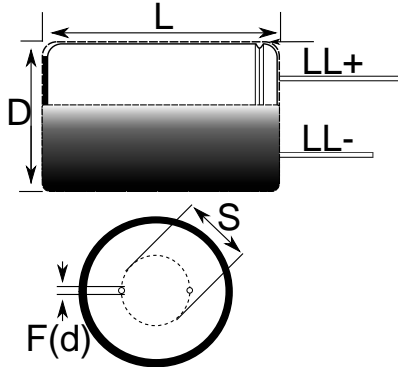


Aluminum Electrolytic, 85C, ESK, 10 uF, 20%, 400 V, -25/+85C, Lead Spacing = 5mm



Note: '()' correspond to the letters used in the product bulletin

| Dimensions | |
|-------------|---------------|
| D | 10mm +/-0.5mm |
| L | 20mm +2mm |
| S | 5mm +/-0.5mm |
| LL Negative | 15mm MIN |
| LL Positive | 20mm MIN |
| F | 0.6mm NOM |

| Packaging Specifications | |
|--------------------------|-----------|
| Packaging: | Bulk, Bag |
| Packaging Quantity: | 2400 |

| General Information | |
|---------------------|-------------------------------------|
| Dielectric: | Aluminum Electrolytic |
| Series: | ESK |
| Description: | Single Ended, Aluminum Electrolytic |
| RoHS: | Yes |
| Lead: | Wire Leads |

| Specifications | |
|--------------------------|--------------------------|
| Capacitance: | 10 uF |
| Capacitance Tolerance: | 20% |
| Voltage DC: | 400 VDC, 450 VDC (Surge) |
| Temperature Range: | -25/+85C |
| Rated Temperature: | 85C |
| Life: | 2000 Hrs |
| Dissipation Factor: | 20% |
| Current: | 56 mAmps (120Hz 85C) |
| Leakage Current: | 130 uA (2min 20C) |
| Impedance Ratio at -25C: | 15 |