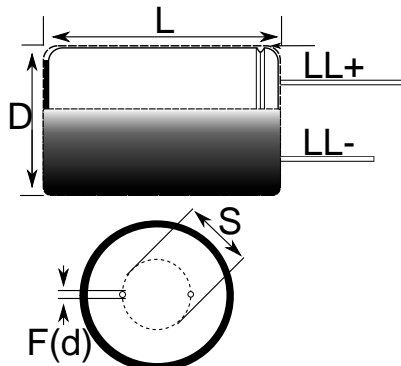


Aluminum Electrolytic, 85C, ESK, 33 uF, 20%, 400 V, -25/+85C, Lead Spacing = 7.5mm



Note: '()' correspond to the letters used in the product bulletin

| Dimensions  |                |
|-------------|----------------|
| D           | 16mm +/-0.5mm  |
| L           | 25mm +2mm      |
| S           | 7.5mm +/-0.5mm |
| LL Negative | 15mm MIN       |
| LL Positive | 20mm MIN       |
| F           | 0.8mm NOM      |

| Packaging Specifications |           |
|--------------------------|-----------|
| Packaging:               | Bulk, Bag |
| Packaging Quantity:      | 1000      |

| General Information |                                     |
|---------------------|-------------------------------------|
| Dielectric:         | Aluminum Electrolytic               |
| Series:             | ESK                                 |
| Description:        | Single Ended, Aluminum Electrolytic |
| RoHS:               | Yes                                 |
| Lead:               | Wire Leads                          |

| Specifications           |                          |
|--------------------------|--------------------------|
| Capacitance:             | 33 uF                    |
| Capacitance Tolerance:   | 20%                      |
| Voltage DC:              | 400 VDC, 450 VDC (Surge) |
| Temperature Range:       | -25/+85C                 |
| Rated Temperature:       | 85C                      |
| Life:                    | 2000 Hrs                 |
| Dissipation Factor:      | 20%                      |
| Current:                 | 170 mAmps (120Hz 85C)    |
| Leakage Current:         | 406 uA (2min 20C)        |
| Impedance Ratio at -25C: | 15                       |