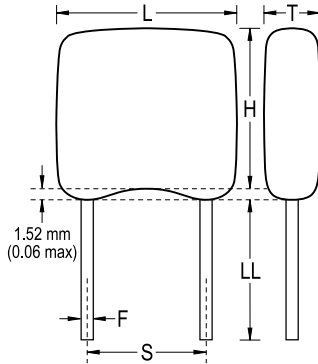


Ceramic, GoldMax, 270 pF, 1%, 100 V, C0G, GoldMax, Commercial Standard, Lead Spacing = 2.54mm



| Dimensions | |
|------------|----------------------|
| L | 3.81mm MAX |
| H | 3.14mm MAX |
| T | 2.54mm MAX |
| S | 2.54mm +/-0.78mm |
| LL | 7mm MIN |
| F | 0.51mm +0.1/-0.025mm |

| Packaging Specifications | |
|--------------------------|-----------|
| Packaging: | Bulk, Bag |
| Packaging Quantity: | 500 |

| General Information | |
|---------------------|------------------------------|
| Style: | Radial |
| Series: | GoldMax |
| Description: | GoldMax, Commercial Standard |
| RoHS: | Yes |
| Termination: | Tin |
| Failure Rate: | N/A |
| Halogen Free: | Yes |

| Specifications | |
|----------------------------------|---------------------|
| Capacitance: | 270 pF |
| Capacitance Tolerance: | 1% |
| Voltage DC: | 100 VDC |
| Dielectric Withstanding Voltage: | 250 V |
| Temperature Range: | -55/+125C |
| Temperature Coefficient: | C0G |
| Dissipation Factor: | 0.1% 25C |
| Aging Rate: | 0% Loss/Decade Hour |
| Insulation Resistance: | 100 GOhms |