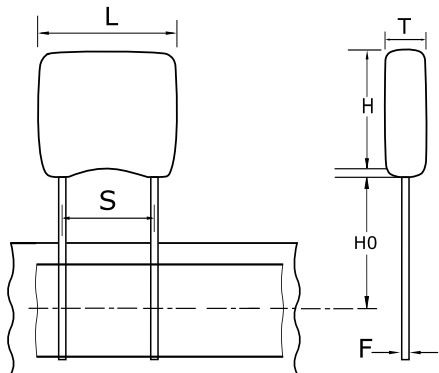


Ceramic, GoldMax, 4.7 uF, 10%, 25 V, X8L, GoldMax, Automotive Grade, Lead Spacing = 2.54mm



General Information	
Style:	Radial
Series:	GoldMax
Description:	GoldMax, Automotive Grade
Features:	Automotive Grade
RoHS:	Yes
Termination:	Tin
Failure Rate:	N/A
Approvals:	AEC-Q200
AEC-Q200:	Yes
Halogen Free:	Yes

Dimensions	
L	5.08mm MAX
H	5.84mm MAX
T	3.18mm MAX
S	2.54mm +/-0.78mm
H0	16mm +/-0.5mm
F	0.51mm +0.1/-0.025mm

Specifications	
Capacitance:	4.7 uF
Capacitance Tolerance:	10%
Voltage DC:	25 VDC
Dielectric Withstanding Voltage:	62.5 V
Temperature Range:	-55/+150C
Temperature Coefficient:	X8L
Dissipation Factor:	2.5% 25C
Aging Rate:	3% Loss/Decade Hour
Insulation Resistance:	210 MOhms

Packaging Specifications	
Packaging:	T&R, 305mm
Packaging Quantity:	2500