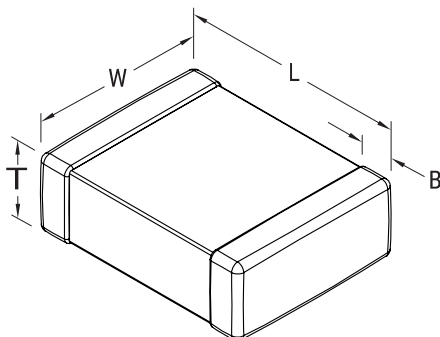


**KEMET Part Number: LDBAB3100JC5N0**  
(DBAB3100JC5N0)

Film, Metallized PPS Stacked, Commercial Grade, LDB, 0.1 uF, 5%, 16 V, 125C, 1210, 2mm



Dimensions	
Chip Size	1210
L	3.3mm +0.3/-0.1mm
W	2.5mm +/-0.3mm
T	2mm MAX
B	0.5mm +0.5/-0.3mm

Packaging Specifications	
Packaging:	T&R
Packaging Quantity:	2250

General Information	
Dielectric:	Metallized PPS Stacked
Style:	SMD Chip
Series:	LDB
RoHS:	Yes
Approvals:	AEC-Q200
AEC-Q200:	Yes

Specifications	
Capacitance:	0.1 uF
Capacitance Tolerance:	5%
Voltage DC:	16 VDC
Temperature Range:	-55/+125C
Rated Temperature:	125C
Dissipation Factor:	0.6% 1kHz
Insulation Resistance:	3 GOhms