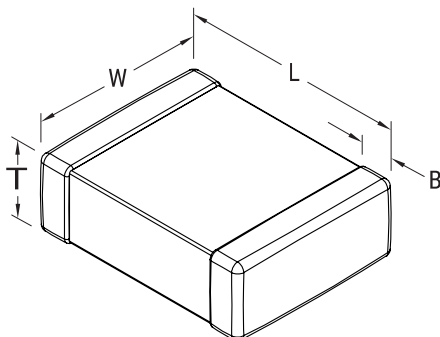


KEMET Part Number: LDECC2330KA5N00
(DECC2330KA5N00)

Film, Metallized PEN Stacked, Commercial Grade, LDE, 0.033 uF, 10%, 50 V, 40 V, 125C, 1812, 1.8mm



Dimensions	
Chip Size	1812
L	4.7mm +0.3/-0.2mm
W	3.3mm +/-0.3mm
T	1.8mm MAX
B	0.5mm +0.5/-0.3mm

Packaging Specifications	
Packaging:	T&R
Packaging Quantity:	4000

General Information	
Dielectric:	Metallized PEN Stacked
Style:	SMD Chip
Series:	LDE
RoHS:	Yes
Approvals:	AEC-Q200
AEC-Q200:	Yes

Specifications	
Capacitance:	0.033 uF
Capacitance Tolerance:	10%
Voltage DC:	50 VDC
Voltage AC:	40 V
Temperature Range:	-55/+125C
Rated Temperature:	125C
Dissipation Factor:	0.8% 1kHz
Insulation Resistance:	1 GOhms
Max dVdt:	100 V