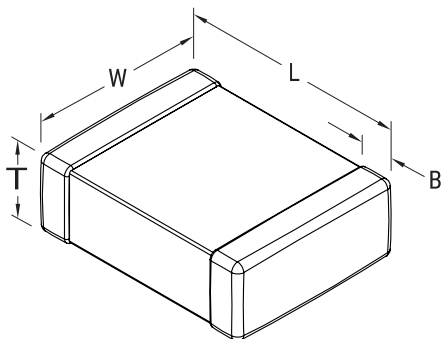


**KEMET Part Number: LDEDD3470KA5N00**  
(DEDD3470KA5N00)

Film, Metallized PEN Stacked, Commercial Grade, LDE, 0.47 uF, 10%, 63 V, 40 V, 125C, 2220, 2.4mm



Dimensions	
Chip Size	2220
L	6mm +/-0.3mm
W	5mm +/-0.4mm
T	2.4mm MAX
B	0.5mm +0.5/-0.3mm

Packaging Specifications	
Packaging:	T&R
Packaging Quantity:	3000

General Information	
Dielectric:	Metallized PEN Stacked
Style:	SMD Chip
Series:	LDE
RoHS:	Yes
Approvals:	AEC-Q200
AEC-Q200:	Yes

Specifications	
Capacitance:	0.47 uF
Capacitance Tolerance:	10%
Voltage DC:	63 VDC
Voltage AC:	40 V
Temperature Range:	-55/+125C
Rated Temperature:	125C
Dissipation Factor:	0.8% 1kHz
Insulation Resistance:	851.1 MOhms
Max dVdt:	100 V