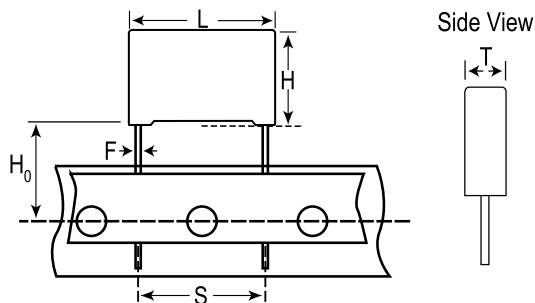


KEMET Part Number: MMK5104K63J01L16.5TR18
 (F601JF104K063L, MMK5104K63J01L16,5TR18)



Film, Metallized Polyester, Commercial Grade, MMK/F601, 0.1 uF, 10%, 63 V, 85C, Lead Spacing = 5mm



General Information	
Dielectric:	Metallized Polyester
Style:	Radial
Series:	MMK/F601
Features:	Pulse
RoHS:	Yes
Lead:	Wire Leads
Miscellaneous:	Not For New Design, Please Check Possible Alternative Parts (AltPart)

Dimensions	
L	7.2mm MAX
H	6.5mm MAX
T	2.5mm MAX
S	5mm +/-0.4mm
H₀	16mm NOM
F	0.5mm NOM

Specifications	
Capacitance:	0.1 uF
Capacitance Tolerance:	10%
Voltage DC:	63 VDC, 48.8 VDC (100C)
Voltage AC:	40 VAC
Temperature Range:	-55/+100C
Rated Temperature:	85C
Dissipation Factor:	0.8% 1kHz, 1.2% 10kHz, 2.5% 100kHz
Insulation Resistance:	15 GOhms
Max dVdt:	25 V
Inductance:	6 nH

Packaging Specifications	
Packaging:	T&R
Packaging Quantity:	2500

Statements of suitability for certain applications are based on our knowledge of typical operating conditions for such applications, but are not intended to constitute - and we specifically disclaim - any warranty concerning suitability for a specific customer application or use. This Information is intended for use only by customers who have the requisite experience and capability to determine the correct products for their application. Any technical advice inferred from this Information or otherwise provided by us with reference to the use of our products is given gratis, and we assume no obligation or liability for the advice given or results obtained.



© 2006 - 2017 IntelliData.net