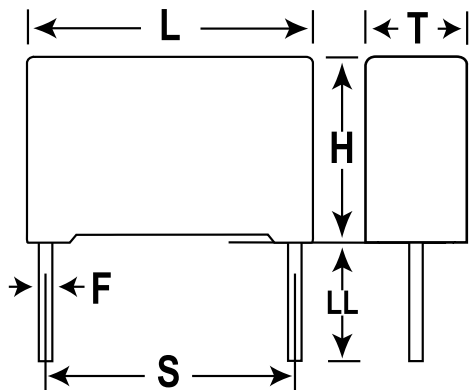


Film, Metallized Polypropylene, Safety, R46, 2.2 uF, 10%, 560 V, 275 V, 110C, Lead Spacing = 37.5mm



General Information	
Dielectric:	Metallized Polypropylene
Style:	Radial
Series:	R46
Features:	Pulse
RoHS:	Yes
Lead:	Wire Leads
Approvals:	ENEC, UL, cUL, CQC

Dimensions	
L	41.5mm +0.3mm
H	24mm +0.1mm
T	13mm +0.3mm
S	37.5mm +/-0.4mm
LL	25mm +2/-1mm
F	1mm +/-0.05mm

Specifications	
Capacitance:	2.2 uF
Capacitance Tolerance:	10%
Voltage DC:	560 VDC
Voltage AC:	275 VAC
Temperature Range:	-40/+110C
Rated Temperature:	110C
Dissipation Factor:	0.1% 1kHz
Insulation Resistance:	13.6364 GOhms
Max dVdt:	100 V
Safety Class:	X2

Packaging Specifications	
Packaging:	Bulk
Packaging Quantity:	216