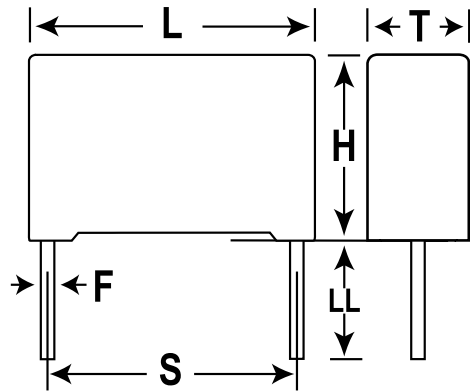


Film, Metallized Polypropylene, Safety, R47\_X1, 0.22 uF, 10%, 1,000 V, 440 V, 110C, Lead Spacing = 27.5mm



**Dimensions**

L	32mm +0.3mm
H	17mm +0.1mm
T	9mm +0.2mm
S	27.5mm +/-0.4mm
LL	25mm +2/-1mm
F	0.8mm +/-0.05mm

**Packaging Specifications**

<b>Packaging:</b>	Bulk
<b>Packaging Quantity:</b>	408

**General Information**

<b>Dielectric:</b>	Metallized Polypropylene
<b>Style:</b>	Radial
<b>Series:</b>	R47_X1
<b>Features:</b>	Pulse
<b>RoHS:</b>	Yes
<b>Lead:</b>	Wire Leads
<b>Approvals:</b>	ENEC, UL, cUL

**Specifications**

<b>Capacitance:</b>	0.22 uF
<b>Capacitance Tolerance:</b>	10%
<b>Voltage DC:</b>	1000 VDC
<b>Voltage AC:</b>	440 VAC
<b>Temperature Range:</b>	-40/+110C
<b>Rated Temperature:</b>	110C
<b>Dissipation Factor:</b>	0.1% 1kHz
<b>Insulation Resistance:</b>	100 GOhms
<b>Max dVdt:</b>	225 V
<b>Safety Class:</b>	X1