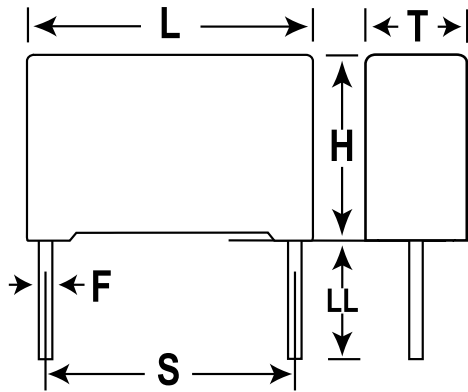


Film, Metallized Polypropylene, Commercial Grade, R75, 2.2 uF, 5%, 400 V, 85C, Lead Spacing = 27.5mm



Dimensions

L	32mm +0.3mm
H	25mm +0.1mm
T	13mm +0.2mm
S	27.5mm +/-0.4mm
LL	30mm +5mm
F	0.8mm +/-0.05mm

Packaging Specifications

Packaging:	Bulk
Packaging Quantity:	288

General Information

Dielectric:	Metallized Polypropylene
Style:	Radial
Series:	R75
Features:	Pulse
RoHS:	Yes
Lead:	Wire Leads
Miscellaneous:	Above 85C DC And AC Voltage Derating Is 1.25%/C

Specifications

Capacitance:	2.2 uF
Capacitance Tolerance:	5%
Voltage DC:	400 VDC
Voltage AC:	220 VAC
Temperature Range:	-55/+105C
Rated Temperature:	85C
Dissipation Factor:	0.06% 1kHz
Insulation Resistance:	13.6364 GOhms
Max dVdt:	130 V
Inductance:	18 nH