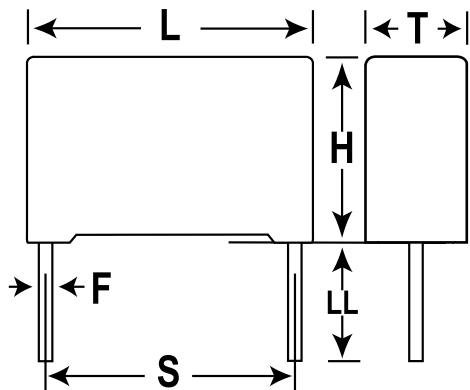


Film, Metallized Polypropylene, Commercial Grade, R75, 1 uF, 5%, 1,000 V, 85C, Lead Spacing = 27.5mm



Dimensions

L	32mm +0.3mm
H	33mm +0.1mm
T	18mm +0.2mm
S	27.5mm +/-0.4mm
LL	30mm +5mm
F	0.8mm +/-0.05mm

Packaging Specifications

Packaging:	Bulk
Packaging Quantity:	128

General Information

Dielectric:	Metallized Polypropylene
Style:	Radial
Series:	R75
Features:	Pulse
RoHS:	Yes
Lead:	Wire Leads
Miscellaneous:	Above 85C DC And AC Voltage Derating Is 1.25%/C

Specifications

Capacitance:	1 uF
Capacitance Tolerance:	5%
Voltage DC:	1000 VDC
Voltage AC:	250 VAC
Temperature Range:	-55/+105C
Rated Temperature:	85C
Dissipation Factor:	0.05% 1kHz, 0.08% 10kHz
Insulation Resistance:	30 GOhms
Max dVdt:	200 V
Inductance:	18 nH